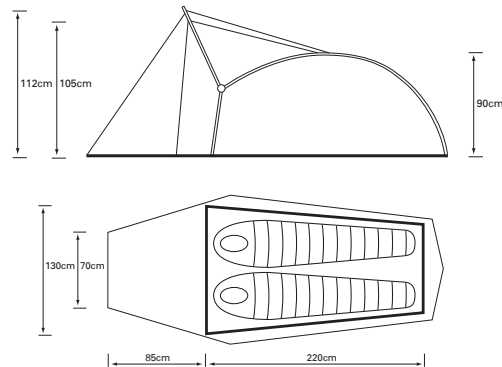


Duolite

- * Pitches 'as one' quickly and easily
- * Fully taped fly and groundsheet
- * Stable semi-geodesic design with external pole system
- * High quality DAC poles
- * Flysheet door has multiple ventilation options



DAC



Sleeps	2
Poles	8.5mm DAC NSL
Minimum weight	2.30kg
Packed weight	2.44kg
Pack size	40cm x 20cm
Pitch type	flysheet first
Model type	semi-geodesic
Number of porches	1
Dimensions	
Max. internal height	112cm
Inner length	220cm

Season Rating: 3-4 season backpacking
User Range: Lightweight backpacking

MATERIALS

	Flysheet	Ground sheet
Fabric	Polyester	Polyester
Hydrostatic Head	3000mm	5000mm

FEATURES

Accommodation

- Full mesh screen on inner door
- Storage pocket

Weather Protection

- Bath tub groundsheet
- Taped seams
- Full zip flaps on doors

Pitching

- Colour-coded pole ends for easy pitching
- 11g Aluminium V-Angle pegs
- Black reflective guyropes

Other

- Full repairs service
- Comprehensive guarantee

Accessories

- Groundsheet Protector



WILD
COUNTRY
by Terra Nova