

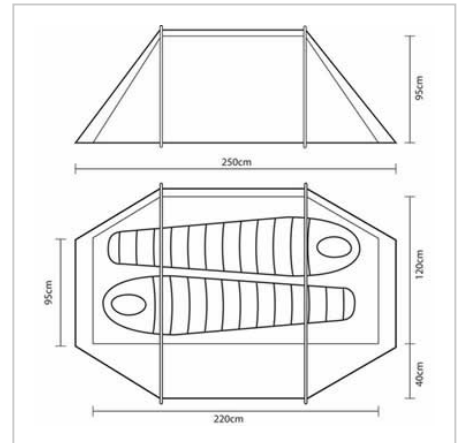
Aspect 2 Tent



A comfortable 2 person backpacking tent. Large side doors for panoramic views.

Sleeps: 2
Season Rating Spec: 3 Season
Free standing?: No (tent requires guy lines to be pitched)
Minimum Weight: 2.24Kg (4lb 15oz)
Packed Weight: 2.4Kg (5lb 5oz)
Pitch Time (estimate): 10 mins
Number of Porches: 1
Number of Doors: 2
Pitch Type: Fly and Inner pitch together
Packed Size: 60x20cm
Poles: 9mm DAC aluminium alloy
Pegs: Alloy v-angle pegs
Flysheets: 4000mm HH
Groundsheet: 6000mm HH
Awning Pole Set and Groundsheet Protector sold separately

£170.00 RRP



Stub Code:

44ASP20



Description

The Wild Country Aspect 2 has an effortless mix of form and function that makes it an easy to use and lightweight backpacking tent for 2 people.

All the features required for a comfortable trip are included, but at a fraction of the price and weighing only 2.2kg. The wide main door make access simple, while the smaller rear door offers ventilation options and second way in or out when sharing. The main door can also be turned into an awning using the Awning Pole Set (sold separately), or walking poles. There is the option to use two extra guylines at either end, adding even more stability in windy weather.

The steep-sides give the inner a real feeling of space and stability not usually found in tents of this size, and the half-mesh door and wide roof vents help to keep the interior cool without sacrificing too much heat in cold weather.