

Zephyros 2 XL Lite Tent - Used Grade C



A lightweight spacious two person tent using a proven, award winning design. Perfect for weight conscious backpackers that want a little bit more room.

Sleeps: 2

Season Rating Spec: 3 season backpacking

Free standing?: No (tent requires guy lines to be pitched)

Minimum Weight: 1.7Kg (3lb 12oz)

Packed Weight: 1.87Kg (4lb 2oz)

Pitch Time (estimate): 5 mins

Number of Porches: 1

Number of Doors: 2

Pitch Type: Fly and Inner pitch together

Pack size: 52cm x 16cm

Flysheet: Pu Polyester R/S 4000mm FR

Floor: Pu Polyester R/S 6000mm

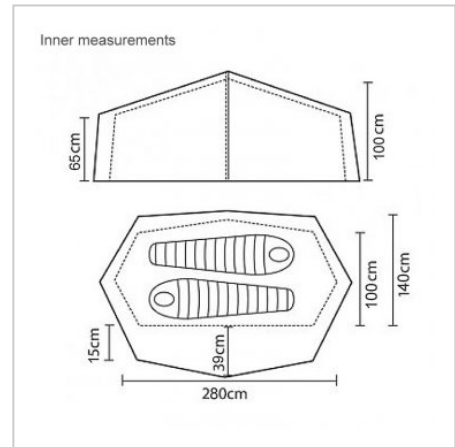
Poles: 8.5mm Wild Country Superflex Alloy

Pegs: 10 x Aluminium V-Angle

Guylines: 4 x black reflective 2.3mm

Inner Door: Half Mesh

£250.00 RRP



Stub Code:

U44Z2XLLC



Description

This tried and trusted, single pole tunnel design has proven itself over the years and is a popular style with weight **CONSCIOUS** backpackers and adventure racers. The Zephyros Lite range trims a sizeable amount of weight off the standard range by using a high specification ripstop polyester flysheet and groundsheet fabrics.

Based on an existing highly successful and award winning Terra Nova design, (the Laser series) the single poled **Zephyros** gives sturdy performance and resistance to bad weather whilst also offering spacious sleeping and storage areas. The tent pitched flysheet and inner together for speed and simplicity and features mesh venting for comfort.

Features: Great value, low weight, proven design, ripstop flysheet, lots of space for low weight and pack size, taped **seams**, fully **waterproof**.

For more information on our [Product Grading System](#).