

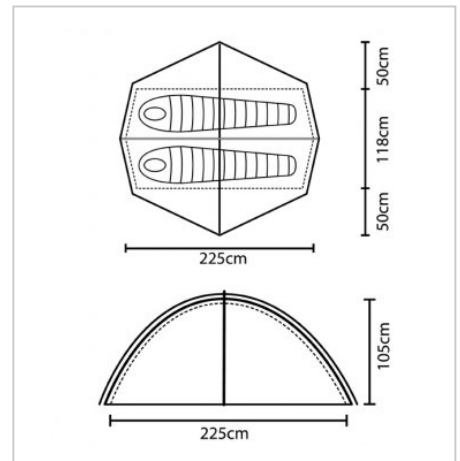
# Helm 2 Tent



**The Helm 2 is a lightweight, freestanding tent for 2 people. It has a generous inner and porch.**

Sleeps: 2  
Season Rating Spec: 3 season backpacking  
Free standing?: Yes (tent can be pitched without guying out)  
Minimum Weight: 2.1Kg (4lb 10oz)  
Packed Weight: 2.3Kg (5lb 1oz)  
Pitch Time (estimate): 5 mins  
Number of Porches: 2  
Number of Doors: 2  
Pitch Type: Fly and Inner pitch together  
Pack size: 50cm x 17cm  
Range: 3 Season Backpacking  
Flysheets: Stormtex P4000mm FR  
Floor: Aqua Stop P6000mm  
Poles: 8.5mm Superflex Alloy  
Pegs: x Alloy V-Angle  
Guylines: 4 x Black Reflective  
Inner Door: Half Mesh

**£220.00 RRP**



**Stub Code:**

44HE200



## Description

**A lightweight, 2 person free-standing tent which is well proportioned, ideal for the camper or backpacker looking for a lightweight tent which offers plenty of space combining excellent ventilation**

- It has a generous inner with good head height and 2 spacious porches
- It is designed for medium duration backpacking and camping trips where more space is needed and is suitable for 3 season camping
- Provides more stability and space than a Zephyros 2 tent
- Two doors and two porches for easy access to both sides of the inner
- Mesh panels run around the top of the inner and there is a half midge-proof mesh inner door for additional ventilation
- The tent pitches with the inner and flysheet together and has colour coded alloy poles for ease of pitching
- The Helm 2 can be used for wild camping as well as campsite use