

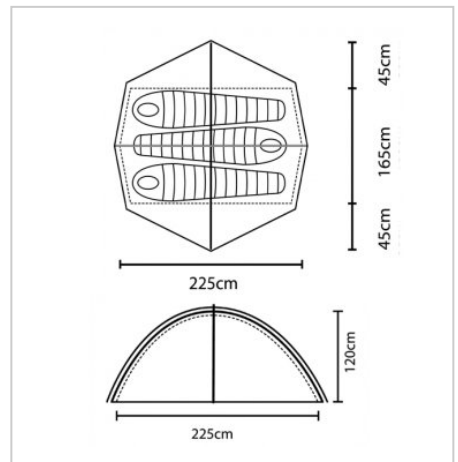
Helm 3 Tent



The Helm 3 is a lightweight, 3 person freestanding tent with a generous inner and porch.

Sleeps: 3
Season Rating Spec: 3 season backpacking
Free standing?: Yes (tent can be pitched without guying out)
Minimum Weight: 2.67Kg (5lb 14oz)
Packed Weight: 2.84Kg (6lb 4oz)
Pitch Time (estimate): 5 mins
Number of Porches: 2
Number of Doors: 2
Pitch Type: Fly and Inner pitch together
Pack size: 52cm x 20cm
Range: 3 Season Backpacking
Flysheets: Stormtex P4000mm FR
Floor: Aqua Stop P6000mm
Poles: 8.5mm Superflex Alloy
Pegs: x Alloy V-Angle
Guylines: 4 x Black Reflective
Inner Door: Half Mesh

£270.00 RRP



Stub Code:

44HE300



Description

A lightweight, free-standing tent which is well proportioned, ideal for the camper or backpacker looking for a lightweight tent which offers plenty of space and excellent ventilation.

• It has a generous inner with good head height and 2 spacious porches

• Designed to sleep 3 people but would also be ideal for 2 people looking for a bit more space for added comfort or gear storage

• Medium duration backpacking and camping trips where more space is needed

• Suitable for 3 season camping.

• The Helm 3 has two doors and 2 porches for easy access to both sides of the inner

• Mesh panels run around the top of the inner and there is a half midge-proof mesh inner door for additional ventilation

• The tent pitches with the inner and flysheet together and has colour coded alloy poles for ease of pitching

• It is a very easy tent to set up and adjust or relocate when pitching

• The Helm 3 can be used for wild camping as well as campsite use