

# Expedition Quasar Tent



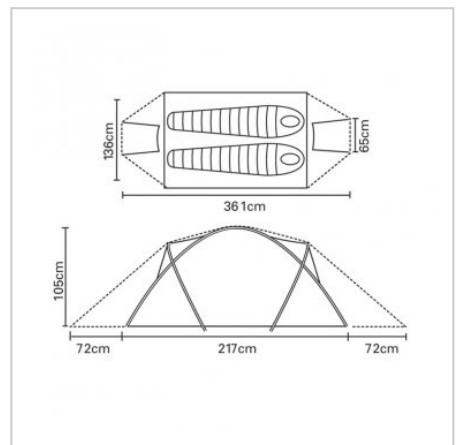
**Expedition version of the classic Quasar Tent which features a stronger flysheet than the classic Quasar.**

Sleeps: 2  
Season Rating Spec: 4 Season Mountain  
Free standing?: Yes (tent can be pitched without guying out)  
Minimum Weight: 3.9kgKg (8lb 10oz)  
Packed Weight: 4.16kgKg (9lb 3oz)  
Pitch Time (estimate): 15 mins  
Number of Porches: 2  
Number of Doors: 2  
Pitch Type: Inner pitch first  
Made in the UK at our Derbyshire Factory  
Packed Size: 18cm x 54cm  
Tough Alloy Pegs  
9.5mm 7001 T6 Terra Nova Reflex poles  
Dyneema guylines  
70 denier flysheet

**£900.00 RRP**



YOUR GEAR HALL OF FAME



**Stub Code:**

41EQU00



## Description

**The definitive 2 person mountain tent is much copied, but never bettered. The exceptionally strong geodesic design has withstood some of the harshest conditions for over two decades.**

- â-° Made to order in our UK factory
- â-° Simple and quick to pitch with colour coded poles and continuous pole sleeves
- â-° Superb inner tension prevents sagging and creating the largest usable space possible
- â-° Two entrances and porches allow sheltered access and plenty of space to store gear
- â-° The Expedition Quasar features a 70 denier ripstop flysheet for greater durability on longer duration expeditions or mountaineering trips