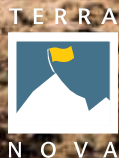


PRODUCT GUIDE

Spring - Summer 2026



SS26



Terra Nova Equipment has a long history of producing some of the world's best outdoor gear, gear which is tried and tested in our laboratory and in some of the most extreme environments on the planet.

Our passion and commitment to produce quality outdoor gear, leads us to use some of the best components and materials available. We are leaders in materials research and innovation, continuously looking to create and use fabrics that are unique in the outdoor industry. The result is award winning products which enable outdoor enthusiasts to achieve their goals. Terra Nova® is the brand of choice for most outdoor professionals across the globe.

The Terra Nova® brand has its heritage in mountain tents including the iconic Quasar. However, the last 15 years has seen it established as the leader in the design and development of extremely lightweight gear, including the lightest tents in the world.



by Terra Nova

Wild Country camping products from Terra Nova Equipment are designed for customers seeking the perfect combination of reliability, simplicity of use and great value.

Taking some of the design and quality standards from the Terra Nova® brand, products are used by everyone from the serious user to first time campers and families to escape into the outdoors.



12 RANGE OVERVIEW

23 IO RANGE

58 ACCESSORIES

36 RANGE OVERVIEW

46 NORTE RANGE

52 CHINOOK RANGE

14 SOLAR RANGE

25 PERFORMANCE RANGE

59 TREKKING POLES

62 BIVI BAGS

66 TARPS

70 BOTHY BAGS

74 TENT PEGS

76 TENT SPARES & ADD-ONS

38 HELM RANGE

48 HOOLIE RANGE

54 BLIZZARD RANGE

18 LASER RANGE

29 EXPEDITION RANGE

44 HALNY RANGE

50 LEVANT RANGE

56 MURLAN RANGE

INTRODUCING TERRA NOVA TECHNOLOGIES

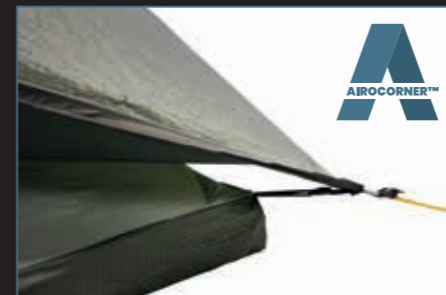
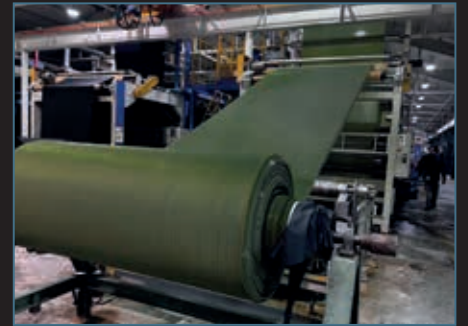


TRIPLEX™ FABRIC

Developed through decades of innovation and field testing, Terra Nova's TriPlex™ fabric sets a new benchmark in performance-led sustainability. Engineered using a unique combination of recycled fibres, solution-dyed yarns, and PFC-free treatments, TriPlex™ offers one of the most environmentally conscious tent fabrics available today, with no trade-off in strength or reliability. The fabric construction features a distinctive Triple Ripstop weave, integrating polyester and nylon to maximise stability and durability in extreme conditions. TriPlex™ fabric is a signature feature across the Terra Nova tent range - trusted by explorers, mountaineers, and endurance athletes who demand sustainability without compromising on protection.

HIGH-PRESSURE SILICONE

TriPlex™ fabric has led Terra Nova to develop a new High-Pressure Silicone Coating System (HPS Si/Si). This system is used on both sides of the groundsheet textile, encasing the yarns in a high-performance silicone to increase water resistance. This eliminates the need for any WR treatment and is CO by design. In addition, because the same coating type is on both sides of the textile there's a symbiotic relationship between the coating layers, where you need it most. These features give you a cleaner, lighter groundsheet, that's stronger and more durable than other traditional alternatives.



AIROCORNER™

Alongside TriPlex™ and the development of High-Pressure Silicone, Terra Nova introduces the AiroCorner™. The AiroCorner™ maximises the benefits of the High-Pressure Silicone, by designing out groundsheet corner seams. This eliminates the risk of leakage at the corners, and spreads tension over a wider area, giving better durability and strength. The Airo effect also enables a better connection between the groundsheet corners and the flysheet hem, making some tents easier to pitch.

TREKKING POLE COMPATIBLE

By incorporating trekking poles into a tent setup, users can take advantage of additional features designed to improve both stability and versatility. Securing trekking poles in porch areas with our dedicated strap reinforces structural support, and converting flysheet doors into awnings creates a sheltered space for relaxation and protection from the elements.



PROTECTION MEETS PRESERVATION

At Terra Nova Equipment, our passion for the outdoors goes hand in hand with our responsibility to protect it. As global environmental challenges continue to intensify, our commitment to reducing impact has become integral to every part of our business – from the materials we select and the manufacturing processes we refine, to the way we operate day to day.

The SS26 range represents the next step in this journey; where protection from the elements is matched by preservation of the environment. Through the continued development of lower-impact fabrics, advanced technologies, and more considered production methods, we're working to ensure that time spent in wild spaces helps safeguard them for the future.

Sustainability isn't a feature. It's a foundation.



Terra Nova TriPlex™ fabric

A compilation of recycled, solution-dyed and PFC-free fibres, to create one of the most environmentally friendly tent fabrics available, without sacrificing performance.



1. RECYCLED

Terra Nova and Wild Country tents now feature recycled flysheets, groundsheet and inners fabrics, made from post-consumer plastic bottles. Look out for our recycled icon to see which tents feature recycled fabrics.



2. SOLUTION-DYED

Solution Dyeing is a technique that creates long lasting, highly pigmented fabrics whilst reducing impact on the environment. Dyeing the polymers first, rather than the fibres after they've been made into fabric, results in less water, chemical waste and energy use. It can also reduce harmful bi-products entering the atmosphere, like CO₂. All our solution-dyed products feature the SD icon throughout the brochure.



3. PFC-FREE CO

PFAS and PFCs pose environmental concerns due to their persistence and potential harm to our ecosystems. After vigorous testing and development to ensure quality remains at the forefront of our products, all Terra Nova Solar, Laser and Performance range tents, as well as all Wild Country tents are now fully PFC-free.

EVERY ELEMENT CONSIDERED

At Terra Nova Equipment, sustainability doesn't end with fabric choice; it informs every decision we make. From materials and packaging to manufacturing and logistics, our commitment to reducing environmental impact is integrated throughout the product lifecycle.

Over the past five years, we've made significant changes across our operations:

- We have introduced recycled fabrics across our flagship ranges, which now feature recycled and PFC-free flysheet and inner fabrics.
- We've expanded the use of solution-dyed materials, which use up to 80% less water and reduce energy consumption by up to 60% during production.
- All new product packaging has been redesigned to be fully recyclable, using recycled and compostable materials. Packaging size has also been reduced to lower emissions in transit.
- 90% of the energy used by our manufacturing facility is solar generated. We are proud to work with audited manufacturing partners who share our values, regularly reviewing production processes to align with international environmental standards

These aren't one-off changes – they're part of an evolving plan. We're committed to continuous improvement and transparency as we move toward a more responsible future for outdoor equipment.

**Because true performance goes beyond the outdoors;
it protects it.**

GUARANTEED



**TERRA NOVA
GUARANTEE**

All new Terra Nova tents and bivis are guaranteed to the original owner for the lifetime of the product. Lifetime is the usable lifetime of the product. Unfortunately, it doesn't mean the owner's lifetime.

The usable life of a product varies depending on a number of factors including how the product is used – a tent that has had heavy use or is not looked after will probably have a shorter life than one that has infrequent use or is well maintained. This is why we don't give a fixed-length guarantee for tents and bivis and prefer to assess each case individually. Tent and Bivi poles are excluded from the Terra Nova Lifetime Guarantee, they are covered by our Pole Guarantee.

W I L D



**WILD COUNTRY
GUARANTEE**

COUNTRY
by Terra Nova

New Wild Country tents are guaranteed against genuine manufacturing faults or defects to the original owner for a period of 2 years from purchase. Tent poles are excluded from the Wild Country Guarantee, they are covered by our Pole Guarantee.

POLE GUARANTEE

All Terra Nova & Wild Country tents and bivis are covered by our 'No Quibble' Pole Guarantee. For 2 years from the date of purchase, we will replace any damaged Tent or Bivi poles, regardless of the cause – this includes accidental damage, giving the user peace of mind and confidence in our equipment. Whether it's due to unforeseen mishaps, wear and tear, or unexpected conditions, we ensure a hassle-free replacement process so adventures can continue.

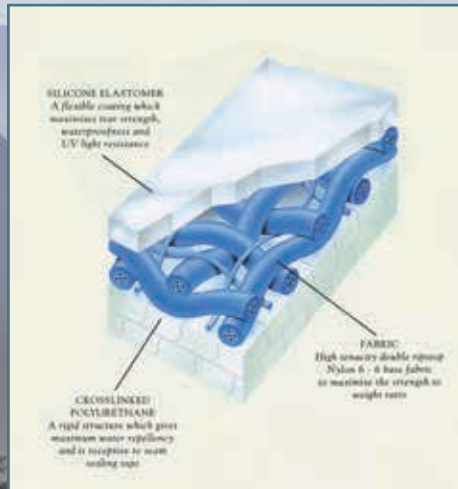
ACCESSORIES GUARANTEE

Accessories, including Trekking Poles, Tarps and Bothy Bags are guaranteed to the original owner for a period of 1 year from purchase.

A HISTORY OF FIRSTS

1994

- Introduction of Watershed, the first PU/Silicone coated flysheet fabric in the industry



2004

- World's first sub 1kg tent, the Terra Nova LaserLite Launched. First Guinness World Record for the Lightest Tent in the World.



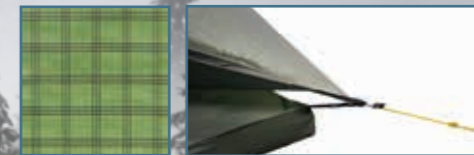
2012

- First to use bonded seams in commercially produced tents with the launch of the Terra Nova Voyager 2.



2025

- First tent manufacturer to use Triplex™, a unique fabric composite triple ripstop flysheet and groundsheet fabric, to provide increased durability and reduce stretching when wet.
- AiroCorners™ introduced to maximise the benefits of High Pressure Silicone, eradicating seams in groundsheets, adding strength and durability and eliminating the risk of leaks.
- First tent manufacturer to offer solution-dyed, recycled and PFC-free flysheet fabric.



ATA GLANCE



SOLAR RANGE



SOLAR HORIZON 2

SOLAR PHOTON 2

SOLAR EVENT 2

SOLAR ULTRA 2

LASER RANGE



LASER LITE 1

LASER LITE 2

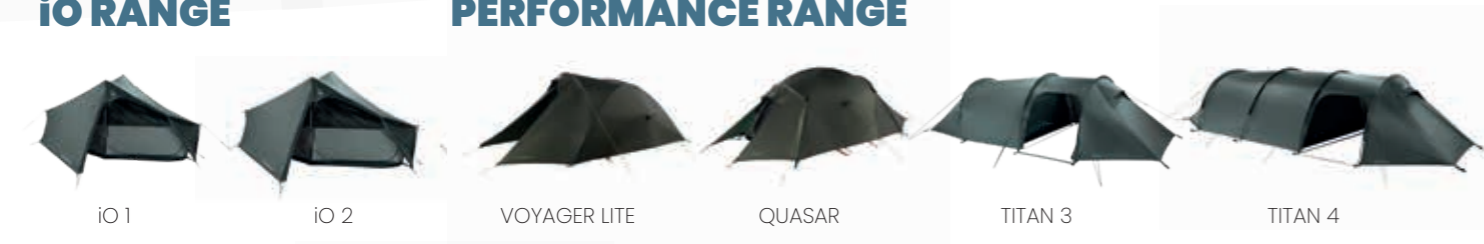
LASER LITE AS

LASER PULSE 1

LASER PULSE ULTRA 1

io RANGE

PERFORMANCE RANGE



io 1

io 2

VOYAGER LITE

QUASAR

TITAN 3

TITAN 4

EXPEDITION RANGE



EXPEDITION QUASAR

EXPEDITION SUPER QUASAR

EXPEDITION HYPERSPACE

EXPEDITION TERRA FIRMA

EXPEDITION COSMOS

	sleeps	WEIGHT MAX		WEIGHT MIN		HYDROSTATIC HEAD(mm)		PACKED SIZE	
		metric	imperial	metric	imperial	flysheet	floor	cms	inches
SOLAR HORIZON 2	2	1.87kg	4lb 2oz	1.75kg	3lb 13oz	3000	5000	46 x 22	18 x 8½
SOLAR PHOTON 2	2	940g	2lb 1oz	852g	1lb 14oz	2000	3000	37 x 14	14½ x 5½
SOLAR EVENT 2	2	1.43kg	3lb 2oz	1.36kg	3lb 0oz	3000	5000	48 x 17	19 x 6¾
SOLAR ULTRA 2	2	839g	1lb 14oz	786g	1lb 12oz	10000	2000	37 x 14	14½ x 5½
LASER LITE 1	1	990g	2lb 3oz	900g	1lb 15oz	3000	5000	30 x 12	12 x 4¾
LASER LITE 2	2	1.2kg	2lb 10oz	1.11kg	2lb 7oz	3000	5000	30 x 14	12 x 5½
LASER LITE AS	1-2	1.36kg	3lb 0oz	1.24kg	2lb 11oz	3000	5000	35 x 19	13¾ x 7½
LASER PULSE 1	1	593g	1lb 6oz	588g	1lb 4oz	2000	2000	30 x 10	12 x 4
LASER PULSE ULTRA 1	1	529g	1lb 3oz	480g	1lb 1oz	10000	2000	30 x 9	12 x 3½
io 1	1	1.14kg	2lb 8oz	1.05kg	2lb 5oz	3000	5000	30 x 12	12 x 4¾
io 2	1	1.37kg	3lb	1.28kg	2lb 13oz	3000	5000	30 x 14	12 x 5½
VOYAGER LITE	2	1.5kg	3lb 5oz	1.4kg	3lb 1oz	3000	5000	50 x 15	19¾ x 6
QUASAR	2	3.36kg	7lb 7oz	2.92kg	6lb 7oz	5000	10000	47 x 18	18½ x 7
TITAN 3	3	2.84kg	6lbs 4oz	2.66kg	5lb 13oz	3000	5000	35 x 22	13¾ x 8½
TITAN 4	4	4.55kg	10lbs 5oz	4.35kg	9lbs 9oz	3000	5000	35 x 28	13¾ x 11
EXPEDITION QUASAR	2	4.16kg	9lb 3oz	3.92kg	8lb 10oz	7000	10000	54 x 18	21¼ x 7
EXPEDITION SUPER QUASAR	3	5.3kg	11lb 11oz	5.01kg	11lb 1oz	7000	10000	54 x 20	21¼ x 8
EXPEDITION HYPERSPACE	3	5.5kg	12lb 2oz	5.24kg	11lb 9oz	7000	10000	78 x 18	30¾ x 7
EXPEDITION TERRA FIRMA	4	6.7kg	14lb 12oz	6.41kg	14lb 2oz	7000	10000	78 x 22	30¾ x 8¾
EXPEDITION COSMOS	8	14.1kg	13lb 1oz	13.6kg	29lb 15oz	7000	10000	90 x 35	35½ x 13¾

SOLAR RANGE

SOLAR HORIZON 2

- A spacious inner pitch first design
- Featuring TriPlex™ triple ripstop, recycled, PFC-free and solution-dyed flysheet
- Groundsheet and inner tent fabric also recycled and PFC-free
- One of the most sustainable 3/4 season tents on the market
- Option to add trekking poles for extra stability
- Compatible with our FASTPACK and PitchLite™ Systems
- Extra guylines and peg supplied to support door awning



Code: TSH2001

SLEEPS
2

SEASONS
3/4

TOTAL WEIGHT
1.87kg

MIN. WEIGHT
1.75kg

PACKED SIZE
46x22cm

SOLAR RANGE

SOLAR PHOTON 2

- With recycled PFC-free flysheet fabric
- TriPlex™ recycled, PFC-free and solution-dyed groundsheet fabric
- AiroCorner™ technology
- Compatible with our FASTPACK and PitchLite™ Systems
- Stable shape for use in poor weather
- Very easy to set up and use
- Front and rear fly hoods for great ventilation



Code: TSP2001

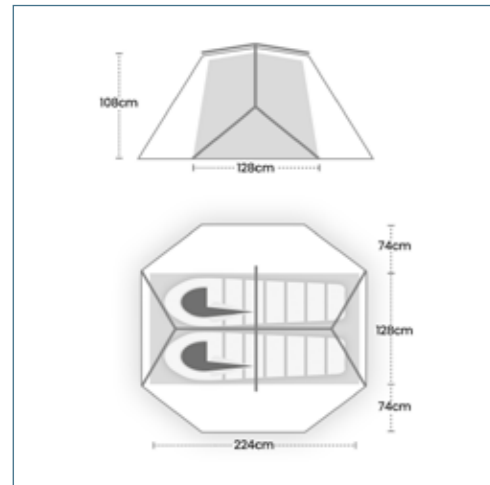
SLEEPS
2

SEASONS
3

TOTAL WEIGHT
940g

MIN. WEIGHT
852g

PACKED SIZE
37x14cm



Flysheet
20D Triple R/S Si / PU Recycled C0 SD 3000mm HH

Inner Fabric
15D Nylon R/S Recycled C0 WR / SD Mesh

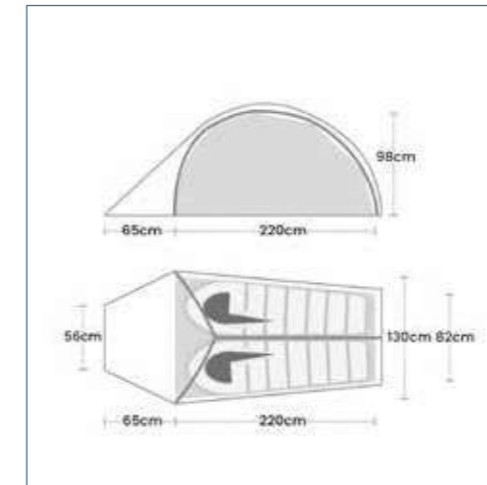
Groundsheet
20D Nylon R/S Recycled C0 Si / PU 5000mm HH

Poles
9.3mm DAC NFL Pole

Pegs
10 x 9g Terra Firma Mini Peg
4 x 5.6g Alloy Peg

Guylines
6x Dyneema® Reflective

Inner Door
Half Mesh



Flysheet
15D Nylon R/S Si / Si Recycled C0 2000mm HH

Inner Fabric
15D Nylon R/S Recycled C0 WR / SD Mesh

Groundsheet
20D Triple R/S Si / Si Recycled C0 SD 3000mm HH

Main Pole
8.7mm DAC NFL Pole

Pegs
13 x 5.6g Alloy Peg

Guylines
4 x Dyneema® Reflective

Inner Door
Full Mesh



SOLAR RANGE

SOLAR EVENT 2

- Inner pitch first design offering a spacious and lightweight shelter
- Featuring TriPlex™ triple ripstop, recycled, PFC-free and solution-dyed flysheet fabric
- Recycled, PFC-free groundsheet and inner fabric
- Compatible with our FASTPACK and PitchLite™ Systems
- Option to add trekking poles for extra stability
- Stable shape for use in poor weather
- Front and rear fly hoods for great ventilation
- Extra guyline and peg supplied to support door awning

Code: TSE2001



SOLAR RANGE

SOLAR ULTRA 2

- Recycled PFC-free groundsheet and inner
- Made in the UK in our Derbyshire factory
- One of the lightest two person free-standing tent currently available
- Ideal for mountain marathon events or short duration backpacking trips
- Extremely strong, factory bonded seams
- Uses our extremely lightweight ULTRA fabric
- Compatible with our FASTPACK and PitchLite™ systems

Code: TSU2001



SLEEPS
2

SEASONS
3/4

TOTAL WEIGHT
1.43kg

MIN. WEIGHT
1.36kg

PACKED SIZE
48x17cm

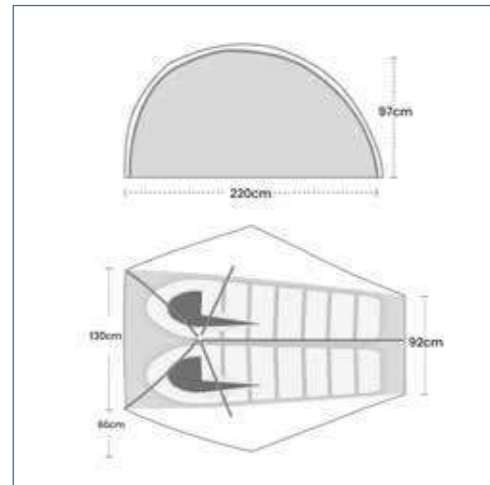
SLEEPS
2

SEASONS
3

TOTAL WEIGHT
839g

MIN. WEIGHT
786g

PACKED SIZE
37x14cm



Flysheet
20D Triple R/S Si / PU Recycled C0 SD 3000mm HH

Inner Fabric
15D Nylon R/S Recycled C0 / SD Mesh

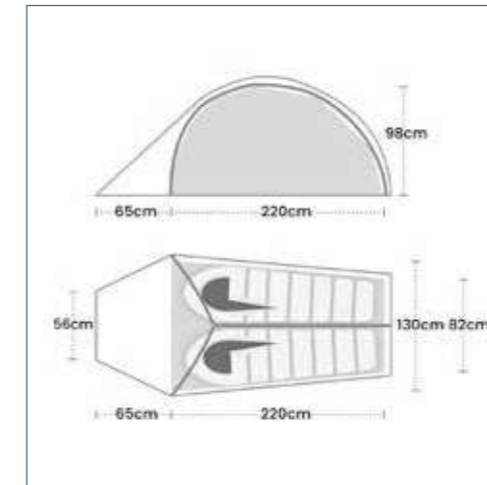
Groundsheet
20D Nylon R/S Recycled Si / PU C0 5000mm HH

Poles
8.7mm DAC NFL Pole

Pegs
12 x 5.6g Alloy Peg

Guylines
5 x Dyneema® Reflective

Inner Door
Solid Door



Flysheet
ULTRA DCF-10000m HH

Inner Fabric
15D Nylon R/S Recycled C0 WR / SD Mesh

Groundsheet
10D Nylon R/S Si / Si Recycled C0 2000mm HH

Poles
8.7mm DAC NFL Pole

Pegs
14 x 5.6g Alloy Peg

Guylines
4 x Dyneema® Reflective

Inner Door
Full Mesh



LASER RANGE

LASER LITE 1

- Featuring TriPlex™ triple ripstop flysheet fabric
- TriPlex™ recycled, PFC-free and solution-dyed flysheet, making it one of the most sustainable tents on the market
- Pole sleeve, vent covers and zip flap fabric all now using flysheet fabric
- AiroCorner™ technology improves performance
- Featuring an adjustable connected flysheet and inner and linelock corners for ease of use
- Groundsheet fabric now HPS Si/Si for reduced weight
- Extra guyline and peg supplied to support door awning

Code: TLC1001



LASER RANGE

LASER LITE 2

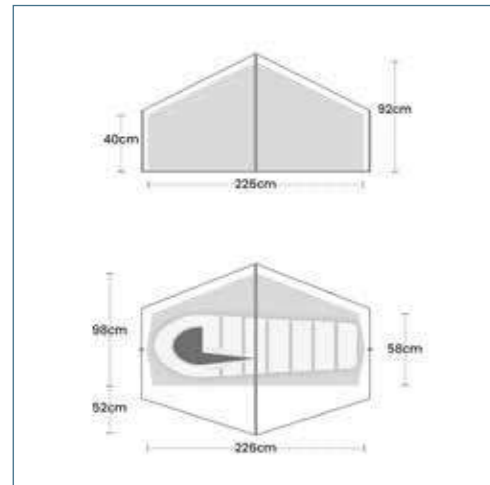
- Featuring TriPlex™ triple ripstop flysheet fabric
- TriPlex™ recycled, PFC-free and solution-dyed flysheet, making it one of the most sustainable tents on the market
- Pole sleeve, vent covers and zip flap fabric all now using flysheet fabric
- AiroCorner™ for improved performance
- Featuring an adjustable connected flysheet and inner and linelock corners for ease of use
- Groundsheet fabric now HPS Si/Si for reduced weight
- Extra guyline and peg supplied to support door awning

Code: TLC2001



SLEEPS **1** SEASONS **3** TOTAL WEIGHT **990g** MIN. WEIGHT **900g** PACKED SIZE **30x12cm**

SLEEPS **2** SEASONS **3** TOTAL WEIGHT **1.2kg** MIN. WEIGHT **1.1Kg** PACKED SIZE **30x14cm**



Flysheet
20D Triple R/S Si / Si Recycled C0 SD 3000mm HH

Inner Fabric
15D Nylon R/S Recycled C0 / SD Mesh

Groundsheet
20D R/S Si / Si Recycled C0 5000mm HH WR

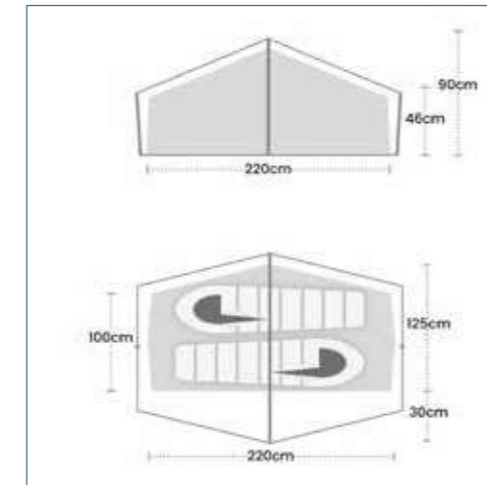
Main Pole
8.7mm DAC NFL Pole

End Poles
8mm TN Re lex Alloy Poles

Pegs
**8 x 9g Terra Firma Mini Peg
2 x 5.6g Alloy Peg**

Guylines
4 x Dyneema® Reflective

Inner Door
Half Mesh



Flysheet
20D Triple R/S Si / Si Recycled C0 SD 3000mm HH

Inner Fabric
15D Nylon R/S Recycled C0 WR / SD Mesh

Groundsheet
20D R/S Si / Si Recycled C0 5000mm HH

Main Pole
8.7mm DAC NFL Pole

End Poles
8mm TN Re lex Alloy Poles

Pegs
**8 x 9g Terra Firma Mini Peg
2 x 5.6g Alloy Peg**

Guylines
4 x Dyneema® Reflective

Inner Door
Half Mesh



LASER RANGE

LASER LITE AS

- Featuring TriPlex™ triple ripstop flysheet fabric
- TriPlex™ recycled, PFC-free and solution-dyed flysheet, making it one of the most sustainable tents on the market
- AiroCorner™ for improved performance
- Featuring an adjustable connected flysheet and inner and linelock corners for ease of use
- Groundsheet fabric HPS Si/Si for reduced weight
- Increased pole diameter for extra strength
- Trekking pole compatible for use as end poles
- Extra guylines and peg supplied to support door awning



Code: TLCAS001

SLEEPS **1-2** SEASONS **3/4** TOTAL WEIGHT **1.36kg** MIN. WEIGHT **1.24Kg** PACKED SIZE **35x19cm**

LASER RANGE

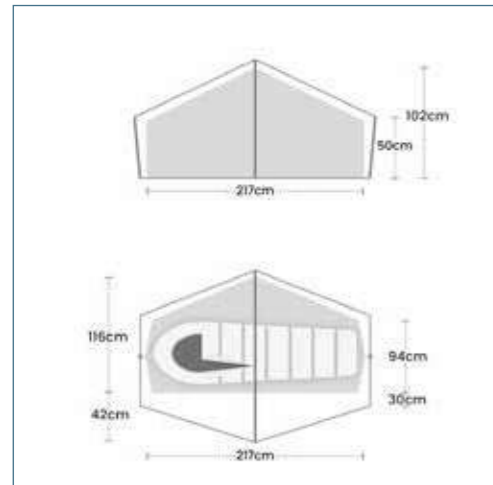
LASER PULSE 1

- Recycled PFC-free groundsheet, inner and flysheet
- One of the lightest double-wall shelters in the world
- DAC main pole and TN Reflex alloy end pole for a lightweight shelter
- Good sitting height of 85cm for this type of tent
- 30cm pack length
- Extra guylines and peg supplied to support door awning



Code: TLP1001

SLEEPS **1** SEASONS **3** TOTAL WEIGHT **638g** MIN. WEIGHT **588g** PACKED SIZE **30x10cm**



Flysheet
20D Triple R/S Si / Si Recycled C0 SD 3000m HH

Inner Fabric
15D Nylon R/S Recycled C0 WR / SD Mesh

Groundsheet
20D Nylon R/S Si / Si Recycled C0 5000mm HH

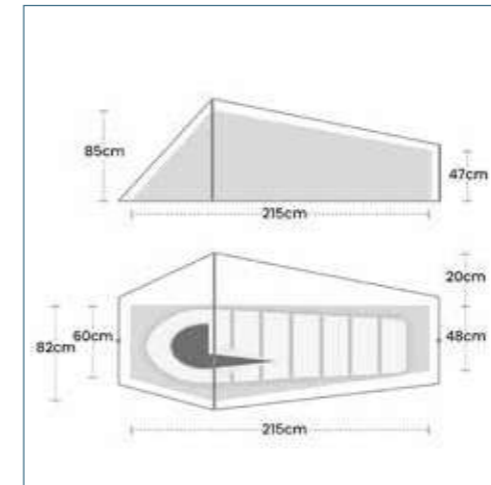
Main Pole
9.6mm TN Reflex Pole

End Pole
8mm TN Reflex Poles

Pegs
12 x 9g Terra Firma Mini Peg
2 x 5.6g Alloy Peg

Guylines
8 x Dyneema® Reflective

Inner Door
Half Mesh & Solid Door



Flysheet
15D Nylon R/S Si / Si Recycled C0 2000mm HH

Inner Fabric
15D Nylon R/S Recycled C0 WR / SD Mesh

Groundsheet
15D Nylon R/S Si / Si Recycled C0 2000mm HH

Main Pole
8.7mm DAC NFL Poles

End Pole
7mm TN Reflex Alloy Pole

Pegs
9 x 5.6g Alloy Peg

Guylines
3 x Dyneema® Reflective

Inner Door
Half Mesh



LASER RANGE

LASER PULSE ULTRA 1

- Recycled, PFC-free groundsheet and inner fabric
- Updated version of the Laser Ultra 1, Guinness World Record holder for the Lightest Tent in the World
- Made in the UK in our Derbyshire Factory
- Uses our extremely light ULTRA fabric
- DAC main pole and TN Reflex end pole included for a super lightweight shelter



Code: TLPUI001

SLEEPS
1

SEASONS
3

TOTAL WEIGHT
529g

MIN. WEIGHT
480g

PACKED SIZE
30x9cm

iO RANGE

iO1 NEW

- Featuring a TriPlex™ triple ripstop nylon and polyester composite flysheet made from recycled, PFC-free, and solution-dyed materials—enhancing stability and sustainability
- Lightweight design and compact for easy packability without sacrificing comfort
- Made with high-performance materials to offer great weather protection
- Efficient layout maximises liveable space for solo use
- AiroCorner™ technology



Code: TIOI001

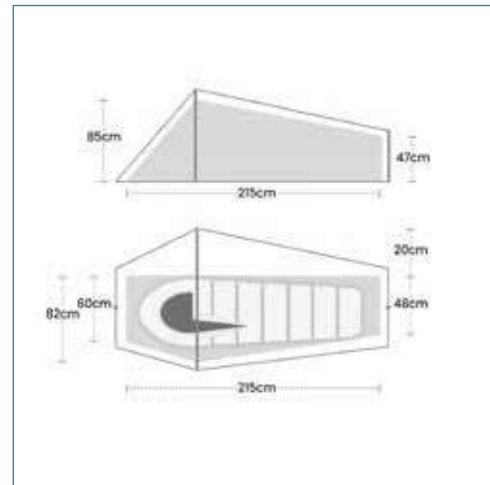
SLEEPS
1

SEASONS
3

TOTAL WEIGHT
1.14kg

MIN. WEIGHT
1.05Kg

PACKED SIZE
30x12cm



Flysheet
ULTRA DCF-10000mm HH

Inner Fabric
15D Nylon R/S Recycled C0 WR / SD Mesh

Groundsheet
15D Nylon R/S Si / Si Recycled C0 2000mm HH

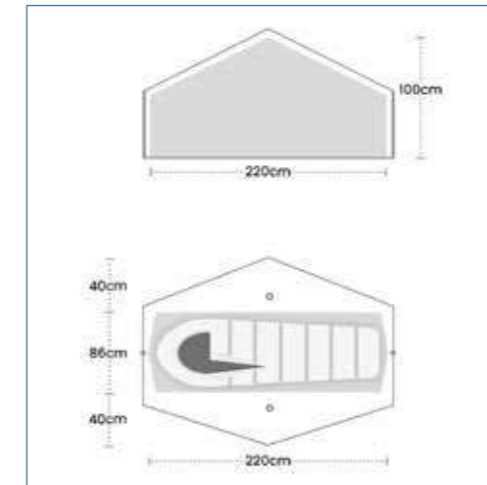
Main Pole
8.7mm DAC NFL Pole

End Poles
7mm TN Reflex Alloy Poles

Pegs
8 x 5.6g Alloy Peg

Guylines
3 x Dyneema® Reflective

Inner Door
Half Mesh



Flysheet
20D Triple R/S Si / Si Recycled C0 SD 3000mm HH

Inner Fabric
15D Nylon R/S Recycled C0 WR

Groundsheet
20D R/S Si / Si Recycled C0 5000mm HH

End Poles
8mm TN Reflex Alloy Poles

Pegs
10 x 9g Terra Firma Mini Peg

Guylines
4 x Dyneema® Reflective

Inner Door
Half Mesh



iO RANGE

iO 2 **NEW**

- Featuring a TriPlex™ triple ripstop nylon and polyester composite flysheet made from recycled, PFC-free, and solution-dyed materials
- Lightweight design and compact for easy packability without sacrificing comfort
- Made with high-performance materials to offer great weather protection
- Efficient layout maximises liveable space for two-person use
- AiroCorner™ technology
- Extra guylines and peg supplied to support door awning



Code: TIO2001

PERFORMANCE RANGE

VOYAGER LITE

- Featuring TriPlex™ triple ripstop flysheet fabric
- Recycled, PFC-free and solution-dyed flysheet and recycled PFC-free groundsheet fabric
- Inner tent fabric now recycled and PFC-free
- Fabric composition dramatically improves overall weight
- One of the most sustainable 4-season tents on the market
- Aerodynamic, stable, semi-geodesic design
- 2 extra guylines and pegs supplied to support door awning



Code: TVL001

SLEEPS
2

SEASONS
3

TOTAL WEIGHT
1.37kg

MIN. WEIGHT
1.28kg

PACKED SIZE
30x14cm

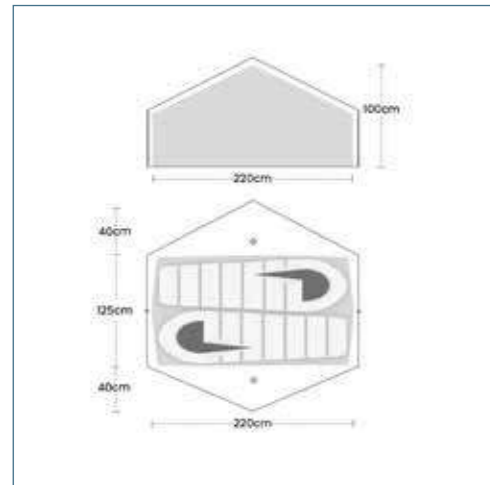
SLEEPS
2

SEASONS
4

TOTAL WEIGHT
1.5kg

MIN. WEIGHT
1.4Kg

PACKED SIZE
50x15cm



Flysheet
20D Triple R/S Si / Si Recycled C0 SD 3000mm HH

Inner Fabric
15D Nylon R/S Recycled C0 WR

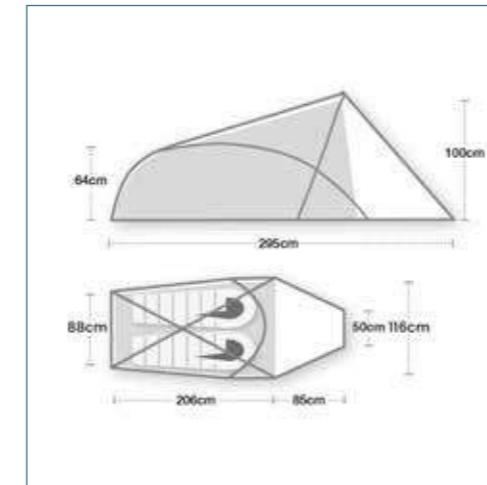
Groundsheet
20D R/S Si / Si Recycled C0 5000mm HH

End Poles
8mm TN Reflex Alloy Poles

Pegs
10 x 9g Terra Firma Mini Peg

Guylines
4 x Dyneema® Reflective

Inner Door
Half Mesh



Flysheet
20D Triple R/S Si / PU Recycled C0 SD 3000mm HH

Inner Fabric
15D Nylon R/S Recycled C0 WR / SD Mesh

Groundsheet
20D Nylon R/S Recycled C0 Si / PU 5000mm HH

Poles
8.7mm DAC NFL Poles

Pegs
**7 x 9g Terra Firma Mini Peg
6 x 5.6g Alloy Peg**

Guylines
5 x Dyneema® Reflective

Inner Door
Full Mesh & Solid Door



PERFORMANCE RANGE

TITAN 3 NEW

- Featuring a TriPlex™ triple ripstop nylon and polyester composite flysheet made from recycled, PFC-free, and solution-dyed materials—enhancing stability and sustainability
- Compact poles for reduced pack size
- 3-pole tunnel design for high stability
- Huge porch space for kit storage
- All-in-one pitching with a spacious inner tent



Code: TTI3001

SLEEPS
3

SEASONS
4

TOTAL WEIGHT
2.84kg

MIN. WEIGHT
2.66kg

PACKED SIZE
35x22cm

PERFORMANCE RANGE

TITAN 4 NEW

- Featuring a TriPlex™ triple ripstop nylon and polyester composite flysheet made from recycled, PFC-free, and solution-dyed materials—enhancing stability and sustainability
- Compact poles for reduced pack size
- 4-pole tunnel design for high stability
- Large porches for kit storage
- Rear flysheet door rolls up fully to boost airflow and rear-facing views
- All-in-one pitching with a spacious inner tent



Code: TTI4001

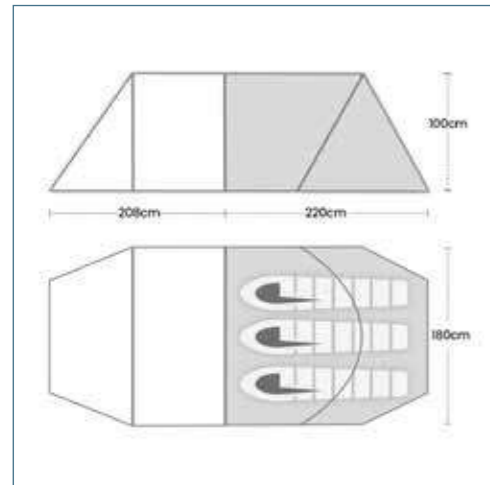
SLEEPS
4

SEASONS
4

TOTAL WEIGHT
4.55kg

MIN. WEIGHT
4.35kg

PACKED SIZE
35x28cm



Flysheet
20D Triple R/S Si / PU Recycled C0 SD 3000mm HH

Inner Fabric
15D Nylon R/S Recycled C0 WR

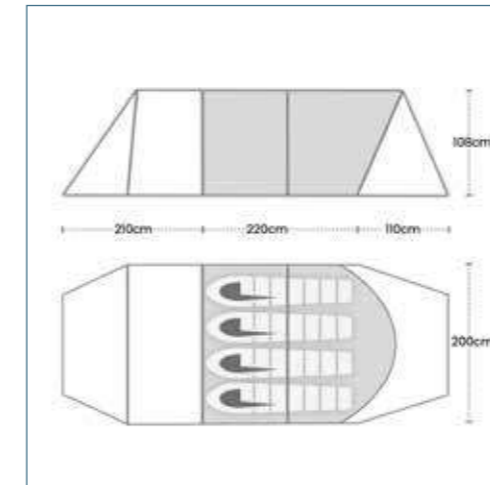
Groundsheet
20D Nylon R/S Recycled Si / PU C0 5000mm HH

Poles
3 x 9mm TN Reflex Poles

Pegs
19 x 9g Terra Firma Mini Peg

Guylines
8 x Dyneema® Reflective

Inner Door
Full Mesh & Solid Door



Flysheet
20D Triple R/S Si / PU Recycled C0 SD 3000mm HH

Inner Fabric
15D Nylon R/S Recycled C0 WR

Groundsheet
20D Nylon R/S Recycled Si / PU C0 5000mm HH

Poles
4 x 10mm TN Reflex Poles

Pegs
22 x 9g Terra Firma Mini Peg

Guylines
10 x Dyneema® Reflective

Inner Door
Full Mesh & Solid Door



PERFORMANCE RANGE

QUASAR

- The original geodesic mountain tent, built for long term use
- Completely PFC-free shelter, with a recycled inner and groundsheet
- An extremely strong, tried and tested shelter
- Iconic Quasar design, still popular after more than 40 years in production
- Supplied with Terra Firma pegs
- 2 extra guylines and pegs supplied to support door awning



Code: TQ001

SLEEPS
2

SEASONS
4

TOTAL WEIGHT
3.36kg

MIN. WEIGHT
2.92kg

PACKED SIZE
47x18cm

EXPEDITION RANGE

EXPEDITION QUASAR

- The original geodesic mountain tent, built for long term use
- Extremely strong, proven design
- Exceptional waterproofing and a fully taped fly and groundsheet
- PFC-free inner fabric



Code: TEQG001 (Green) TEQR001 (Red)

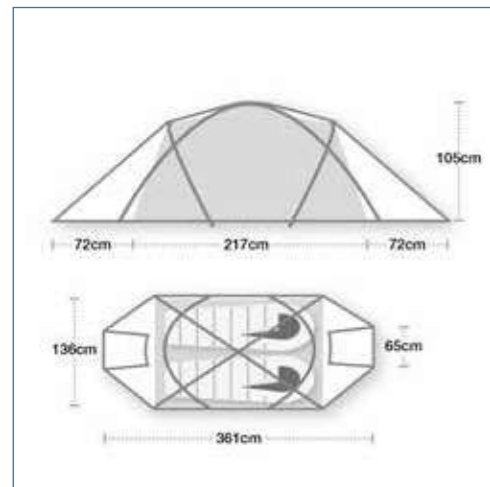
SLEEPS
2

SEASONS
4

TOTAL WEIGHT
4.16kg

MIN. WEIGHT
3.92kg

PACKED SIZE
54x18cm



Flysheet
30D Nylon R/S Si / PU C0 5000mm HH

Inner Fabric
20D Nylon R/S Recycled C0 WR / SD Mesh

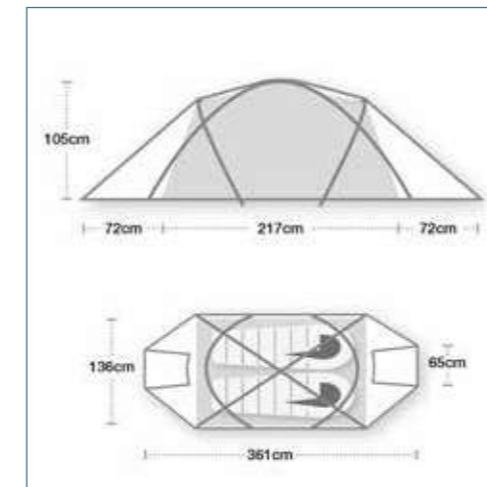
Groundsheet
70D Nylon Plain Recycled PU C0 WR 10000mm HH

Poles
9.5mm TN Reflex Poles

Pegs
18 x 13g Terra Firma Peg

Guylines
6 x Dyneema® Reflective

Inner Door
Full Mesh & Solid Door



Flysheet
Watershed 70D Nylon Ripstop Si / PU 7000mm HH

Inner Fabric
70D Ripstop Nylon C0 WR / SD Mesh

Groundsheet
Waterbloc 210D Nylon PUE 10000mm HH

Poles
4 x 9.5mm TN Reflex Poles

Pegs
18 x 13g Terra Firma Peg

Guylines
6 x Dyneema® Reflective

Inner Door
Full Mesh & Solid Door



EXPEDITION RANGE

EXPEDITION SUPER QUASAR

- Exceptionally strong - a great choice for base camps and exposed pitches
- Poles cross at the sides for added stability
- Exceptional waterproofing and a fully taped fly and groundsheet
- Two doors and porches
- PFC-free inner fabric
- Now includes foam spacers to maintain separation



Code: **TESQG001 (Green)** **TESQR001 (Red)**

SLEEPS
3

SEASONS
4

TOTAL WEIGHT
5.3kg

MIN. WEIGHT
5.01kg

PACKED SIZE
54x20cm

EXPEDITION RANGE

EXPEDITION HYPERSPACE

- A familiar sight on expedition base camps, strong and stable design
- Two doors, one with a large extended porch
- Exceptional waterproofing and a fully taped fly and groundsheet
- PFC-free inner fabric
- Now includes foam spacers to maintain separation



Code: **TEHG001 (Green)** **TEHR001 (Red)**

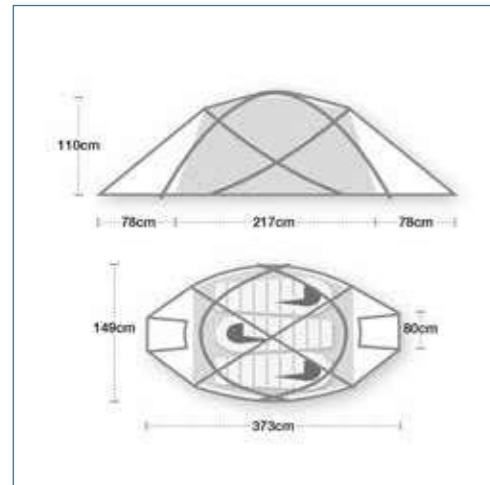
SLEEPS
3

SEASONS
4

TOTAL WEIGHT
5.5kg

MIN. WEIGHT
5.24kg

PACKED SIZE
78x18cm



Flysheet
Watershed 70D Nylon Ripstop Si / PU 7000mm HH

Inner Fabric
70D Ripstop Nylon C0 WR / SD Mesh

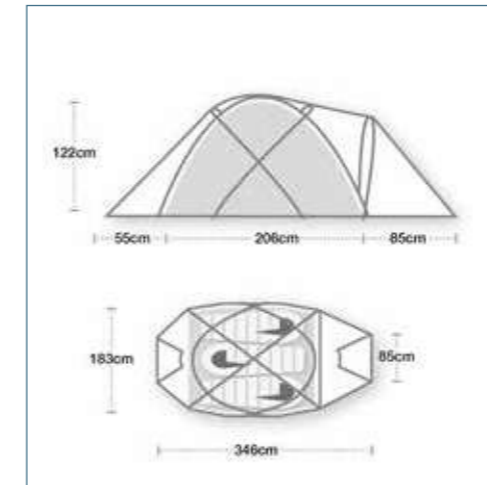
Groundsheet
Waterbloc 210D Nylon PUE 10000mm HH

Poles
4 x 9.5mm TN Reflex Poles

Pegs
22 x 13g Terra Firma Peg

Guylines
10 x Dyneema® Reflective

Inner Door
Full Mesh & Solid Door



Flysheet
Watershed 70D Nylon Ripstop Si / PU 7000mm HH

Inner Fabric
70D Ripstop Nylon C0 WR / SD Mesh

Groundsheet
Waterbloc 210D Nylon PUE 10000mm HH

Poles
5 x 9.5mm TN Reflex Poles

Pegs
20 x 13g Terra Firma Peg

Guylines
8 x Dyneema® Reflective

Inner Door
Full Mesh & Solid Door



EXPEDITION RANGE

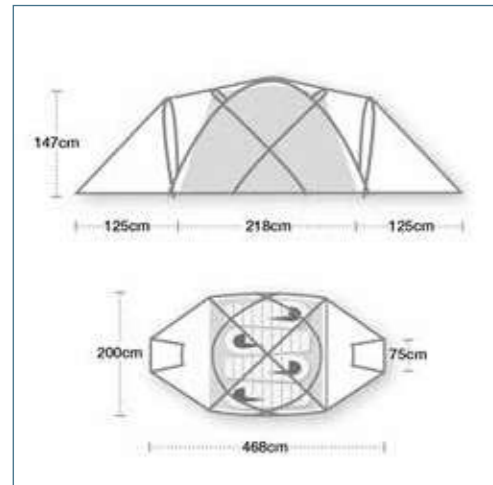
EXPEDITION TERRA FIRMA

- Proven on multiple Himalayan and Polar expeditions
- Two doors, both with large extended porches
- Lots of headroom
- Exceptionally waterproof with a taped fly and groundsheet
- PFC-free inner fabric
- Now includes foam spacers to maintain separation



Code: **TETFG001 (Green)** **TETFR001 (Red)**

SLEEPS **4** SEASONS **4** TOTAL WEIGHT **6.7kg** MIN. WEIGHT **6.41kg** PACKED SIZE **78x22cm**



Flysheet
Watershed 70D Nylon Ripstop Si / PU 7000m HH

Inner Fabric
70D Ripstop Nylon C0 WR / SD Mesh

Groundsheet
Waterbloc 210D Nylon PUE 10000mm HH

Poles
4 x 11mm / 2 x 9.5mm TN Reflex Poles

Pegs
22 x 13g Terra Firma Peg

Guylines
10 x Dyneema® Reflective

Inner Door
Full Mesh & Solid Door



EXPEDITION RANGE

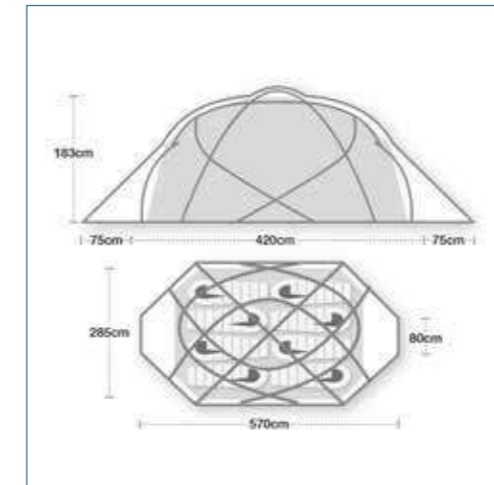
EXPEDITION COSMOS

- The ultimate tent for group and expedition use
- Two main doors and two smaller corner doors
- Closeable flysheet vents
- Exceptionally waterproof with a taped fly and groundsheet
- Standing height in main part of inner
- PFC-free inner fabric



Code: **TECG001 (Green)** **TECR001 (Red)**

SLEEPS **8** SEASONS **4** TOTAL WEIGHT **14.1kg** MIN. WEIGHT **13.6kg** PACKED SIZE **90x35cm**



Flysheet
Watershed 70D Nylon Ripstop Si / PU 7000mm HH

Inner Fabric
70D Ripstop Nylon C0 WR / SD Mesh

Groundsheet
Waterbloc 210D Nylon PUE 10000mm HH

Poles
6 x 13mm TN Reflex Poles

Pegs
22 x 13g Terra Firma Peg

Guylines
16 x Dyneema® Reflective

Inner Door
Full Mesh & Solid Door



AWARDS



Best Backpacker Tents –
Camping & Caravanning Club
Owner Satisfaction Awards 2025



Best Lightweight Tent –
Out & About Live
Camping Awards 2025

AT A GLANCE



HELM RANGE



HALNY RANGE



NORTE RANGE



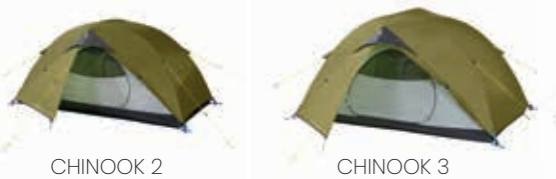
HOOIE RANGE



LEVANT RANGE



CHINOOK RANGE



BLIZZARD RANGE



MURLAN RANGE



	sleeps	WEIGHT MAX		WEIGHT MIN		HYDROSTATIC HEAD(mm)		PACKED SIZE	
		metric	imperial	metric	imperial	flysheets	floor	cms	inches
HELM COMPACT 1	1	1.98kg	4lb 6oz	1.74kg	3lb 13oz	4000	5000	35 x 17	13¾ x 6¾
HELM COMPACT 2	2	2.36kg	5lb 3oz	2.1kg	4lb 10oz	4000	5000	32 x 20	12½ x 8
HELM COMPACT 3	3	2.96kg	6lb 8oz	2.7kg	5lb 15oz	4000	5000	30 x 24	12 x 9½
HELM ELITE 1	1	1.79kg	3lb 15oz	1.65kg	3lb 10oz	4000	5000	35 x 17	13¾ x 6¾
HELM ELITE 2	2	2.13kg	4lb 11oz	1.9kg	4lb 3oz	4000	5000	32 x 20	12½ x 8
HELM ELITE 3	3	2.76kg	6lb 1oz	2.6kg	5lb 11oz	4000	5000	30 x 24	12 x 9½
HALNY ELITE 1	1	1.36kg	2lb 15oz	1.22kg	2lb 11oz	4000	5000	34 x 18	13½ x 7
HALNY ELITE 2	2	1.59kg	3lb 8oz	1.45kg	3lb 3oz	4000	5000	34 x 19	13½ x 7½
NORTE COMPACT 1	1	2kg	4lb 7oz	1.85kg	4lb 1oz	4000	5000	34 x 16	13½ x 6¼
NORTE COMPACT 2	2	2.21kg	4lb 14oz	2.05kg	4lb 8oz	4000	5000	34 x 19	13½ x 7½
HOOIE COMPACT 2	2	2.56kg	5lb 10oz	2.36kg	5lb 3oz	4000	5000	34 x 18	13½ x 7¼
HOOIE COMPACT 3	3	3.0kg	6lb 10oz	2.77kg	6lb 2oz	4000	5000	34 x 21	13½ x 8¼
LEVANT 1	1	2.3kg	5lb 1oz	2.06kg	4lb 8oz	4000	5000	45 x 17	17¾ x 7¾
LEVANT 2	2	2.84kg	6lb 4oz	2.55kg	5lb 10oz	4000	5000	50 x 20	19¾ x 8
CHINOOK 2	2	2.79kg	5lb 15oz	2.65kg	5lb 13oz	4000	5000	48 x 16	19 x 6¾
CHINOOK 3	3	3.65kg	8lb 0oz	3.45kg	7lb 10oz	4000	5000	52 x 20	20½ x 8
BLIZZARD ELITE 2	2	2.27kg	5lb 0oz	2.12kg	4lb 10oz	4000	5000	32 x 19	12½ x 7½
BLIZZARD ELITE 3	3	3.09kg	6lb 13oz	2.87kg	6lb 5oz	4000	5000	35 x 19	14½ x 7¾
MURLAN ELITE 2	2	3.15kg	6lb 15oz	2.91kg	6lb 6oz	4000	5000	44 x 22	17½ x 8½

HELM RANGE

HELM COMPACT 1

- Recycled, PFC-free inner and groundsheet fabric
- Solution-dyed and PFC-free flysheet
- Free-standing, strong design
- Spacious inner and generous porch
- Rear storage area under flysheet accessed from inner
- Excellent ventilation
- Easy Pitch, Easy Pack, Compact
- Extra guyline and peg supplied to support door awning



Code: WHC1001

SLEEPS
1

SEASONS
3

TOTAL WEIGHT
1.98kg

MIN. WEIGHT
1.74kg

PACKED SIZE
35x17cm

HELM RANGE

HELM COMPACT 2

- Recycled, PFC-free inner and groundsheet fabric
- Solution-dyed and PFC-free flysheet
- Free-standing, strong design
- Spacious inner and generous porch
- Two doors and porches for easy access and extra storage
- Excellent ventilation
- Easy Pitch, Easy Pack, Compact
- Extra guyline and peg supplied to support door awning



Code: WHC2001

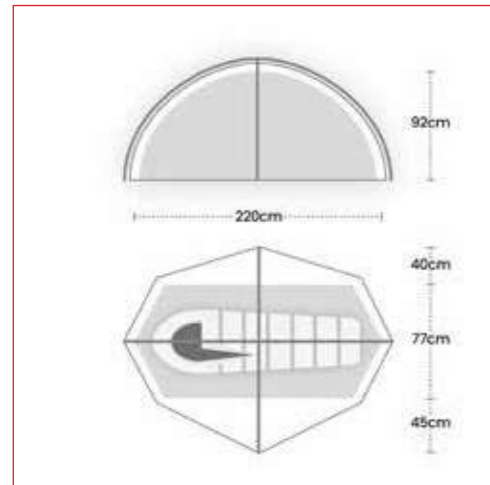
SLEEPS
2

SEASONS
3

TOTAL WEIGHT
2.36kg

MIN. WEIGHT
2.1kg

PACKED SIZE
32x20cm



Flysheet
68D PES R/S PU CO SD 4000mm HH

Inner Fabric
68D PES R/S Recycled WR CO / SD Mesh

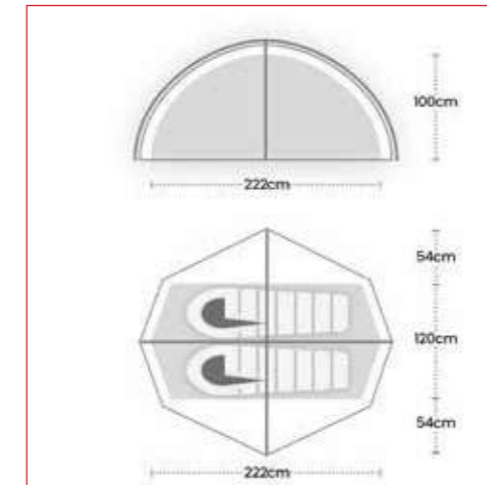
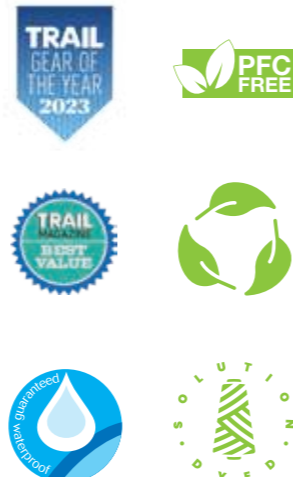
Groundsheet
70D PES Plain Recycled PU WR CO 5000mm HH

Poles
2 x 8.5mm Superflex Alloy Poles

Pegs
12 x 12g Alloy 'V' Angle Peg

Guylines
4 x Reflective

Inner Door
Half Mesh



Flysheet
68D PES R/S PU CO SD 4000mm HH

Inner Fabric
68D PES R/S Recycled WR CO / SD Mesh

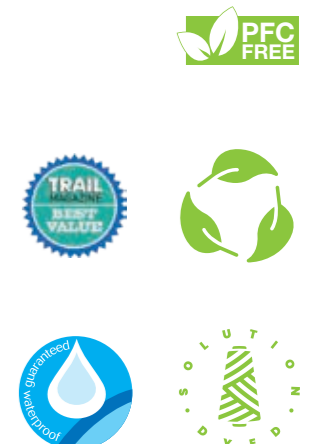
Groundsheet
70D PES Plain Recycled PU WR CO 5000mm HH

Poles
2 x 8.5mm Superflex Alloy Poles

Pegs
12 x 12g Alloy 'V' Angle Peg

Guylines
4 x Reflective

Inner Door
Half Mesh



HELM RANGE

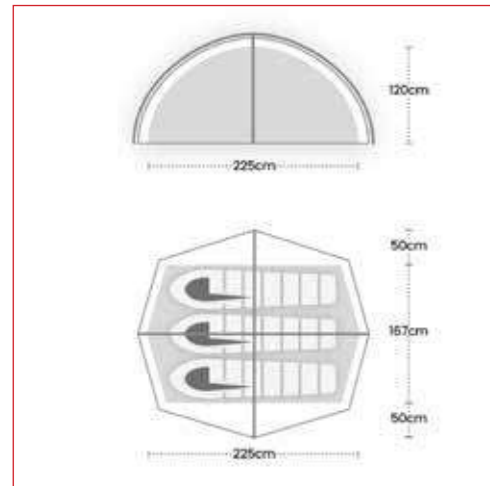
HELM COMPACT 3

- Recycled, PFC-free inner and groundsheet fabric
- Solution-dyed and PFC-free flysheet
- Free-standing, strong design
- Spacious inner and generous porch
- Two doors and porches for easy access and extra storage
- Excellent ventilation
- Easy Pitch, Easy Pack, Compact
- Extra guylines and peg supplied to support door awning

Code: WHC3001



SLEEPS **3** SEASONS **3** TOTAL WEIGHT **2.96kg** MIN. WEIGHT **2.7kg** PACKED SIZE **30x24cm**



Flysheet
68D PES R/S PU CO SD 4000mm HH
Inner Fabric
68D PES R/S Recycled WR CO / SD Mesh
Groundsheet
70D PES Plain Recycled PU WR CO 5000mm HH
Poles
2 x 9.5mm Superflex Alloy Poles
Pegs
12 x 12g Alloy 'V' Angle Peg
Guylines
4 x Reflective
Inner Door
Half Mesh



HELM RANGE

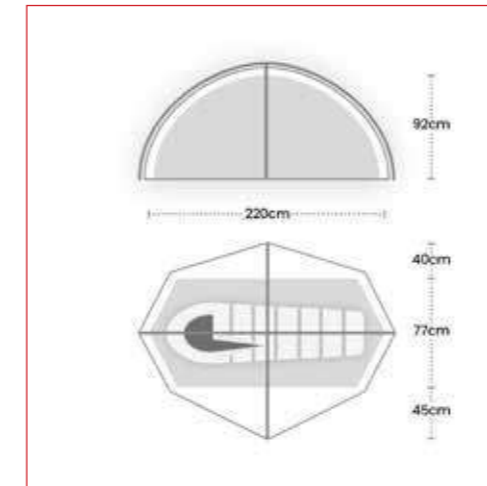
HELM ELITE 1

- Elite version of the award-winning Helm Compact 1 featuring a lower overall weight
- Recycled and PFC-free flysheet, inner and groundsheet fabric
- Free-standing, strong design
- Excellent ventilation
- Easy Pitch, Compact
- Extra guylines and peg supplied to support door awning

Code: WHE1001



SLEEPS **1** SEASONS **3** TOTAL WEIGHT **1.79kg** MIN. WEIGHT **1.65kg** PACKED SIZE **35x17cm**



Flysheet
20D Nylon R/S Si / PU Recycled CO 4000mm HH
Inner Fabric
20D Nylon R/S Recycled WR CO / SD Mesh
Groundsheet
70D PES Plain Recycled PU WR CO 5000mm HH
Poles
2 x 8.5mm Superflex Alloy Poles
Pegs
12 x 12g Alloy 'V' Angle Peg
Guylines
4 x Dyneema® Reflective
Inner Door
Half Mesh



HELM RANGE

HELM ELITE 2

- Elite version of the award-winning Helm Compact 2 featuring a lower overall weight
- Recycled and PFC-free flysheet, inner and groundsheet fabric
- Free-standing, strong design
- Excellent ventilation
- Easy Pitch, Compact
- Extra guyline and peg supplied to support door awning

Code: WHE2001



SLEEPS
2

SEASONS
3

TOTAL WEIGHT
2.13kg

MIN. WEIGHT
1.9kg

PACKED SIZE
32x20cm

HELM RANGE

HELM ELITE 3 **NEW**

- New for 2026: Using recycled, PFC-free flysheet, inner, and groundsheet
- Free-standing, strong design
- Spacious inner and generous porches
- Two doors and porches for easy access and extra storage
- Excellent ventilation
- Easy Pitch, Compact
- Extra guyline and peg supplied to support door awning

Code: WHE3001



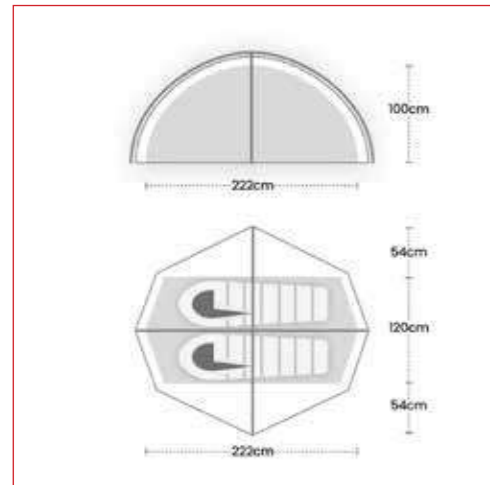
SLEEPS
3

SEASONS
3

TOTAL WEIGHT
2.76kg

MIN. WEIGHT
2.6kg

PACKED SIZE
30x24cm



Flysheet
20D Nylon R/S Si / PU Recycled CO 4000mm HH

Inner Fabric
20D Nylon R/S Recycled WR CO / SD Mesh

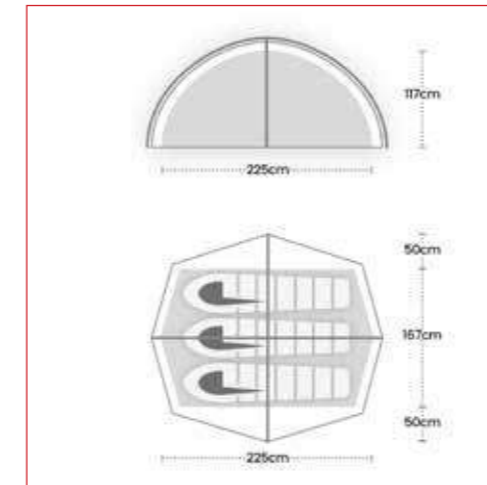
Groundsheet
70D PES Plain Recycled PU WR CO 5000mm HH

Poles
2 x 8.5mm Superflex Alloy Poles

Pegs
12 x 12g Alloy 'V' Angle Peg

Guylines
4 x Dyneema® Reflective

Inner Door
Half Mesh



Flysheet
20D Nylon R/S Si / PU Recycled CO 4000mm HH

Inner Fabric
20D Nylon R/S Recycled WR CO / SD Mesh

Groundsheet
70D PES Plain Recycled PU WR CO 5000mm HH

Poles
2 x 9.5mm Superflex Alloy Poles

Pegs
12 x 12g Alloy 'V' Angle Peg

Guylines
4 x Dyneema® Reflective

Inner Door
Half Mesh



HALNY RANGE

HALNY ELITE 1

- A 1-person, lightweight single pole design that takes inspiration from the Terra Nova Laser range.
- Recycled and PFC-free flysheet, inner and groundsheet fabric.
- Additional zip on the flysheet offers the use of an awning feature with trekking poles
- Plenty of ventilation options
- Stable, proven design
- Easy Pitch, Compact
- Extra guylines and peg supplied to support door awning

Code: WH1001



HALNY RANGE

HALNY ELITE 2

- A 2-person, lightweight single pole design that takes inspiration from the Terra Nova Laser range
- Recycled and PFC-free flysheet, inner and groundsheet fabric
- Additional 2 zips on the flysheet offers the use of an awning feature with trekking poles
- Plenty of ventilation options
- Stable, proven design
- Easy Pitch, Compact
- Extra guylines and peg supplied to support door awning

Code: WH2001



SLEEPS
1

SEASONS
3

TOTAL WEIGHT
1.36kg

MIN. WEIGHT
1.22kg

PACKED SIZE
34x18cm

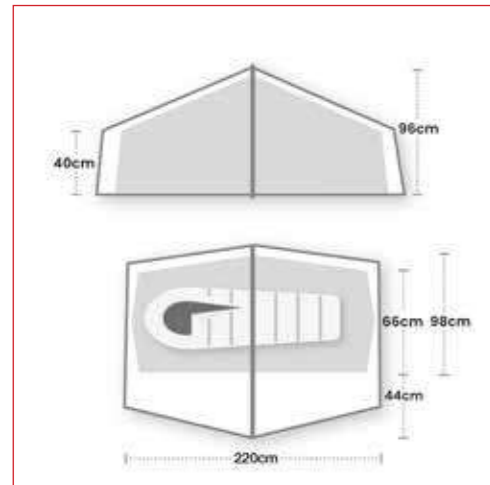
SLEEPS
2

SEASONS
3

TOTAL WEIGHT
1.59kg

MIN. WEIGHT
1.45kg

PACKED SIZE
34x19cm



Flysheet
20D Nylon R/S Si / PU Recycled CO 4000mm HH

Inner Fabric
20D Nylon R/S Recycled WR CO / SD Mesh

Groundsheet
70D PES Plain Recycled PU WR CO 5000mm HH

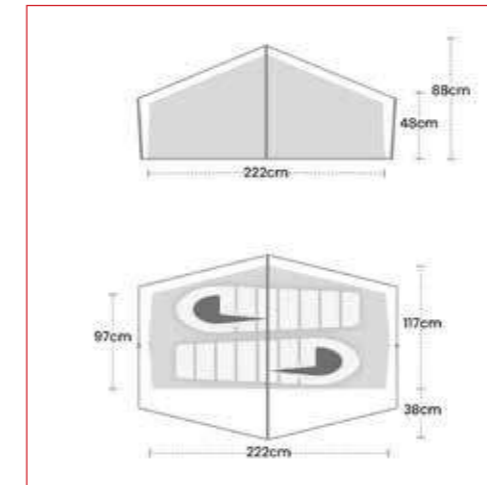
Main Pole
1 x 8.5mm Superflex Alloy Pole

End Poles
2 x 8mm Superflex Alloy Poles

Pegs
11 x 12g Alloy 'V' Angle Peg

Guylines
4 x Dyneema® Reflective

Inner Door
Half Mesh



Flysheet
20D Nylon R/S Si / PU Recycled CO 4000mm HH

Inner Fabric
20D Nylon R/S Recycled WR CO / SD Mesh

Groundsheet
70D PES Plain Recycled PU WR CO 5000mm HH

Main Pole
1 x 8.5mm Superflex Alloy Pole

End Poles
2 x 8mm Superflex Alloy Poles

Pegs
11 x 12g Alloy 'V' Angle Peg

Guylines
4 x Dyneema® Reflective

Inner Door
Half Mesh



NORTE RANGE

NORTE COMPACT 1

- A dynamic 1-person single pole tent that takes inspiration from the Laser Lite AS
- Impressive inner space and headroom
- Recycled and PFC-free, inner and groundsheet fabric
- Solution-dyed and PFC-free flysheet
- Additional zip on the flysheet offers the use of an awning feature with trekking poles
- Vents at both ends of the tent for ventilation
- Easy Pitch, Easy Pack, Compact
- Extra guyline and peg supplied to support door awning

Code: WN1001



NORTE RANGE

NORTE COMPACT 2

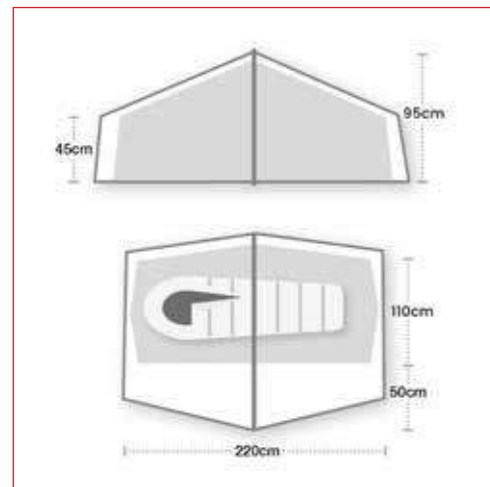
- A dynamic 2-person single pole tent that takes inspiration from the Laser Lite AS
- Impressive inner space and headroom
- Recycled and PFC-free, Inner and groundsheet fabric
- Solution-dyed and PFC-free flysheet
- Additional 2 zips on the flysheet offers the use of an awning feature with trekking poles
- Vents at both ends of the tent for ventilation
- Easy Pitch, Easy Pack, Compact
- Extra guyline and peg supplied to support door awning

Code: WN2001



SLEEPS **1** SEASONS **3** TOTAL WEIGHT **2kg** MIN. WEIGHT **1.85kg** PACKED SIZE **34x16cm**

SLEEPS **2** SEASONS **3** TOTAL WEIGHT **2.21kg** MIN. WEIGHT **2.05kg** PACKED SIZE **34x19cm**



Flysheet
68D PES R/S PU CO SD 4000mm HH

Inner Fabric
68D PES R/S Recycled WR CO / SD Mesh

Groundsheet
70D PES Plain Recycled PU WR CO 5000mm HH

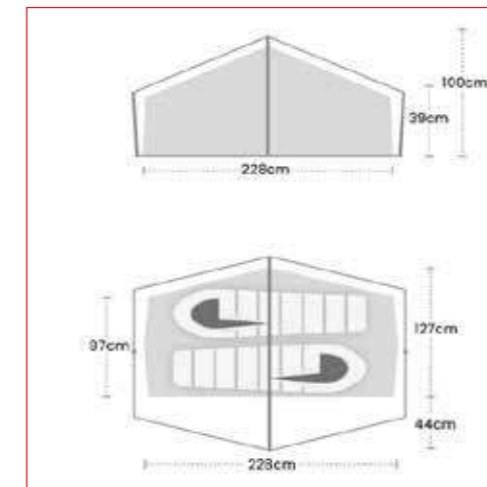
Main Pole
1 x 8.5mm Superflex Alloy Pole

End Poles
2 x 8mm Superflex Alloy Poles

Pegs
11 x 12g Alloy 'V' Angle Peg

Guylines
4 x Reflective

Inner Door
Half Mesh



Flysheet
68D PES R/S PU CO SD 4000mm HH

Inner Fabric
68D PES R/S Recycled WR CO / SD Mesh

Groundsheet
70D PES Plain Recycled PU WR CO 5000mm HH

Main Pole
1 x 8.5mm Superflex Alloy Pole

End Poles
2 x 8mm Superflex Alloy Poles

Pegs
11 x 12g Alloy 'V' Angle Peg

Guylines
4 x Reflective

Inner Door
Half Mesh



HOO LIE RANGE

HOO LIE COMPACT 2

- Tried and tested 2-person tunnel tent design
- Recycled and PFC-free inner and groundsheet fabric
- Solution-dyed and PFC-free flysheet
- Large porch space for kit storage
- Generous inner tent capacity
- Easy Pitch, Easy Pack, Compact
- 2 extra guylines and pegs supplied to support door awning



Code: WHOC2001

SLEEPS
2

SEASONS
3

TOTAL WEIGHT
2.56kg

MIN. WEIGHT
2.36kg

PACKED SIZE
34x18cm

HOO LIE RANGE

HOO LIE COMPACT 3

- Tried and tested 3-person tunnel tent design
- Recycled and PFC-free inner and groundsheet fabric
- Solution-dyed and PFC-free flysheet
- Large porch space for kit storage
- Generous inner tent capacity
- Easy Pitch, Easy Pack, Compact
- 2 extra guylines and pegs supplied to support door awning



Code: WHOC3001

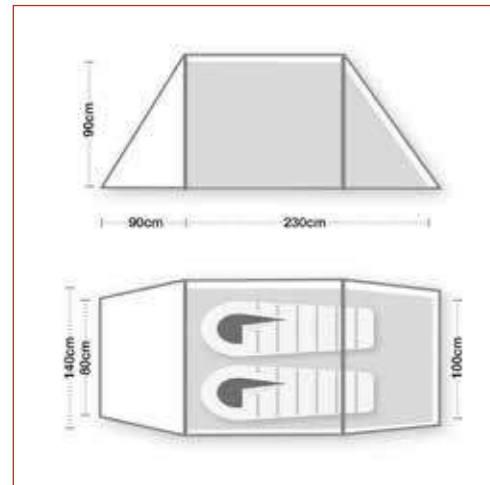
SLEEPS
3

SEASONS
3

TOTAL WEIGHT
3.0kg

MIN. WEIGHT
2.77kg

PACKED SIZE
34x21cm



Flysheet
68D PES R/S PU CO SD 4000mm HH

Inner Fabric
68D PES R/S Recycled WR CO / SD Mesh

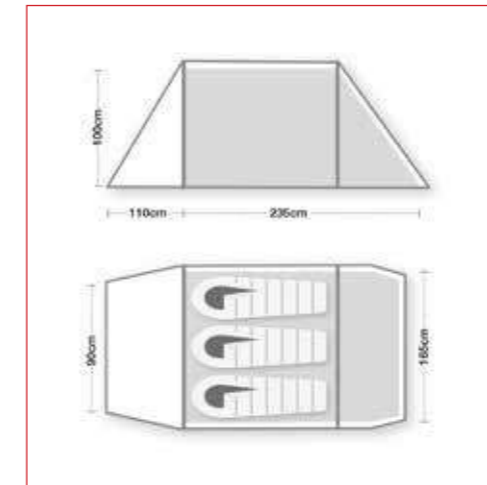
Groundsheet
70D PES Plain Recycled PU WR CO 5000mm HH

Poles
2 x 8.5mm Superflex Alloy Poles

Pegs
16 x 12g Alloy 'V' Angle Peg

Guylines
8 x Reflective

Inner Door
Half Mesh



Flysheet
68D PES R/S PU CO SD 4000mm HH

Inner Fabric
68D PES R/S Recycled WR CO / SD Mesh

Groundsheet
70D PES Plain Recycled PU WR CO 5000mm HH

Poles
2 x 8.5mm Superflex Alloy Poles

Pegs
19 x 12g Alloy 'V' Angle Peg

Guylines
10 x Reflective

Inner Door
Half Mesh



LEVANT RANGE

LEVANT 1

- Solution-dyed and PFC-free flysheet
- Recycled and PFC-free inner and groundsheet fabric
- A free-standing, 1-person tent for 3/4 season backpacking
- Allows for flysheet only, or all-in-one pitching
- Updated with a rain gutter for water dispersion
- External all-in-one hub pole system
- Flysheet attachment to add a trekking pole for stability
- Easy Pitch, Easy Pack
- Extra guyline and peg supplied to support door awning



Code: WL1001

LEVANT RANGE

LEVANT 2

- Solution-dyed and PFC-free flysheet
- Recycled and PFC-free inner and groundsheet fabric
- A free-standing, 2-person tent for 3/4 season backpacking
- Allows for flysheet only, or all-in-one pitching
- Updated with a rain gutter for water dispersion
- External all-in-one hub pole system
- Flysheet attachment to add a trekking pole for stability
- Easy Pitch, Easy Pack
- Extra guyline and peg supplied to support door awning



Code: WL2001

SLEEPS
1

SEASONS
3/4

TOTAL WEIGHT
2.3kg

MIN. WEIGHT
2.06kg

PACKED SIZE
45x17cm

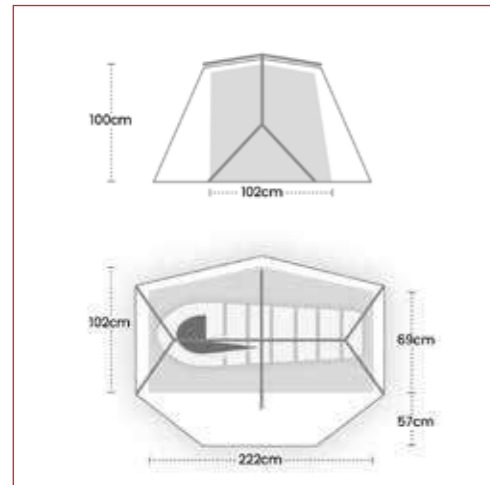
SLEEPS
2

SEASONS
3/4

TOTAL WEIGHT
2.84kg

MIN. WEIGHT
2.55kg

PACKED SIZE
50x20cm



Flysheet
68D PES R/S PU CO SD 4000mm HH

Inner Fabric
68D PES R/S Recycled WR CO / SD Mesh

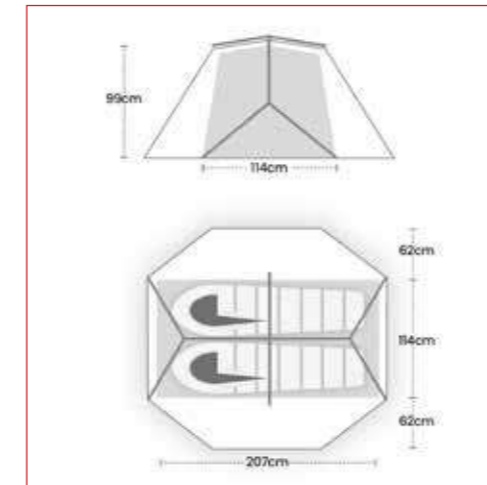
Groundsheet
70D PES Plain Recycled PU WR CO 5000mm HH

Poles
1 x 8.5mm Superflex Alloy Pole

Pegs
11 x 12g Alloy 'V' Angle Peg

Guylines
4 x Reflective

Inner Door
Half Mesh



Flysheet
68D PES R/S PU CO SD 4000mm HH

Inner Fabric
68D PES R/S Recycled WR CO / SD Mesh

Groundsheet
70D PES Plain Recycled PU WR CO 5000mm HH

Poles
1 x 8.5mm Superflex Alloy Pole

Pegs
14 x 12g Alloy 'V' Angle Peg

Guylines
4 x Reflective

Inner Door
Half Mesh



CHINOOK RANGE

CHINOOK 2

- An inner pitch first, 2-person, free-standing, easy-to-use dome design
- Recycled and PFC-free inner and groundsheet fabric
- Solution-dyed flysheet and PFC-free flysheet
- Can be pitched without the flysheet in good conditions
- Two doors and porches at the front and back for maximum access and storage
- A spacious and versatile shelter
- Easy Pack, Easy Pitch
- Extra guyline and peg supplied to support door awning

Code: WC2001



SLEEPS
2

SEASONS
3

TOTAL WEIGHT
2.79kg

MIN. WEIGHT
2.65kg

PACKED SIZE
48x16cm

CHINOOK RANGE

CHINOOK 3

- An inner pitch first, 3-person free-standing, easy-to-use dome design
- Recycled and PFC-free inner and groundsheet fabric
- Solution-dyed and PFC-free flysheet
- Can be pitched without the flysheet in good conditions
- Two doors and porches at the front and back for maximum access and storage
- A spacious and versatile shelter
- Easy Pack, Easy Pitch
- Extra guyline and peg supplied to support door awning

Code: WC3001



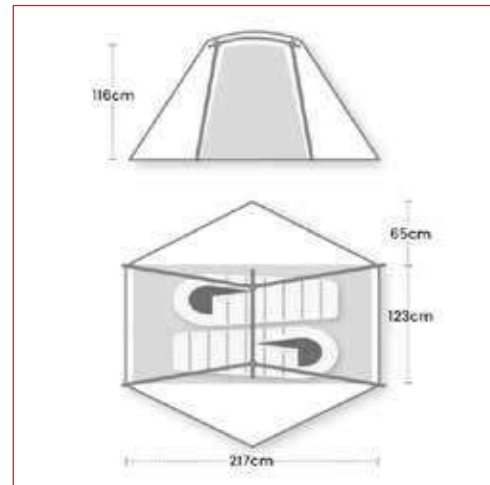
SLEEPS
3

SEASONS
3

TOTAL WEIGHT
3.65kg

MIN. WEIGHT
3.45kg

PACKED SIZE
52x20cm



Flysheet
68D PES R/S PU CO SD 4000mm HH

Inner Fabric
68D PES R/S Recycled WR CO / SD Mesh

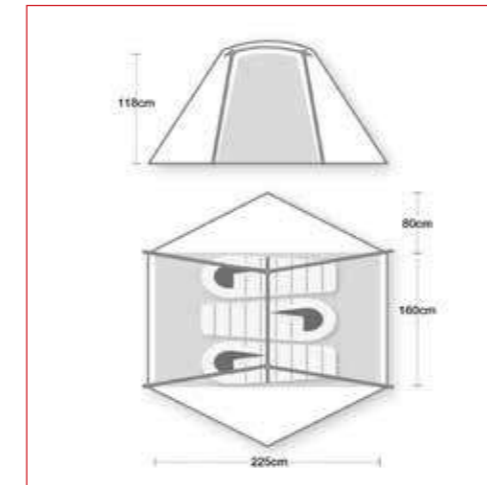
Groundsheet
70D PES Plain Recycled PU WR CO 5000mm HH

Poles
1 x 8.5mm Superflex Alloy Pole

Pegs
12 x 12g Alloy 'V' Angle Peg

Guylines
6 x Reflective

Inner Door
Half Mesh



Flysheet
68D PES R/S PU CO SD 4000mm HH

Inner Fabric
68D PES R/S Recycled WR CO / SD Mesh

Groundsheet
70D PES Plain Recycled PU WR CO 5000mm HH

Poles
1 x 8.5mm Superflex Alloy Pole

Pegs
12 x 12g Alloy 'V' Angle Peg

Guylines
6 x Reflective

Inner Door
Half Mesh



BLIZZARD RANGE

BLIZZARD ELITE 2

- Recycled and PFC-free flysheet, inner and groundsheet fabric
- Compact poles for reduced pack size
- 3 pole tunnel design for high stability
- All-in-one pitching with a spacious inner tent
- Easy Pitch, Compact
- 2 extra guylines and pegs supplied to support door awning



Code: WBE2001

SLEEPS
2

SEASONS
3/4

TOTAL WEIGHT
2.27kg

MIN. WEIGHT
2.12kg

PACKED SIZE
32x19cm

BLIZZARD RANGE

BLIZZARD ELITE 3

- Recycled and PFC-free flysheet, inner and groundsheet fabric
- Compact poles for reduced pack size
- 3 pole tunnel design for high stability
- Huge porch space for kit storage
- All-in-one pitching with a spacious inner tent
- Easy Pitch, Compact



Code: WBE3001

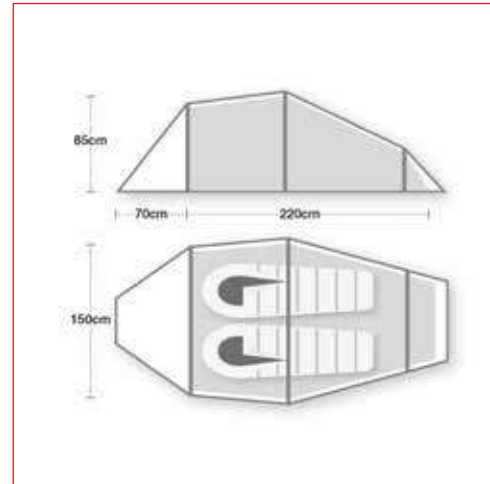
SLEEPS
3

SEASONS
3/4

TOTAL WEIGHT
3.09kg

MIN. WEIGHT
2.87kg

PACKED SIZE
35x19cm



Flysheet
20D Nylon R/S Si / PU Recycled CO 4000mm HH

Inner Fabric
68D PES R/S Recycled WR CO / SD Mesh

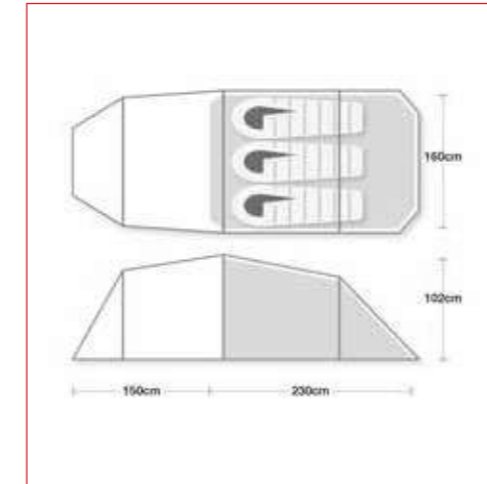
Groundsheet
70D PES Plain Recycled PU WR CO 5000mm HH

Poles
3 x 8.5mm Superflex Alloy Poles

Pegs
12 x 12g Alloy 'V' Angle Peg

Guylines
8 x Dyneema® Reflective

Inner Door
Half Mesh



Flysheet
20D Nylon R/S Si / PU Recycled CO 4000mm HH

Inner Fabric
68D PES R/S Recycled WR CO / SD Mesh

Groundsheet
70D PES Plain Recycled PU WR CO 5000mm HH

Poles
3 x 8.5mm Superflex Alloy Poles

Pegs
19 x 12g Alloy 'V' Angle Peg

Guylines
9 x Dyneema® Reflective

Inner Door
Full Mesh & Solid Door



MURLAN RANGE

MURLAN ELITE 2

- Recycled and PFC-free flysheet, inner and groundsheet fabric
- A spacious, 2-person tent with 2 doors and porches
- A strong, geodesic tent that takes design inspiration from the iconic Quasar
- 4 season tent that's ideal for expedition use
- Inner pitch first
- 2 extra guylines and pegs supplied to support door awning



Code: WM2001

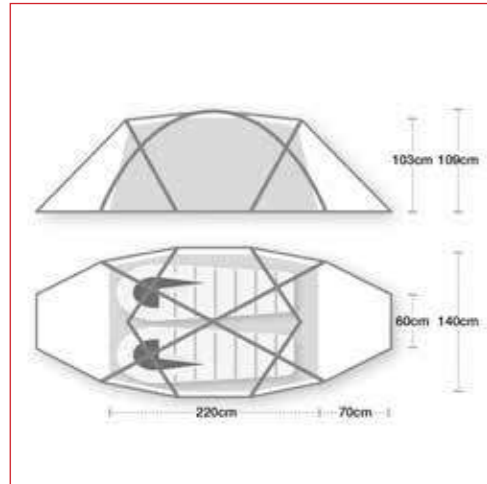
SLEEPS
2

SEASONS
4

TOTAL WEIGHT
3.15kg

MIN. WEIGHT
2.91kg

PACKED SIZE
44x22cm



Flysheet
20D Nylon R/S Si / PU Recycled CO 4000mm HH

Inner Fabric
68D PES R/S Recycled WR CO / SD Mesh

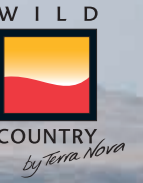
Groundsheet
70D PES Plain Recycled PU WR CO 5000mm HH

Poles
4 x 8.5mm Superflex Alloy Poles

Pegs
20 x 12g Alloy 'V' Angle Peg

Guylines
10 x Dyneema® Reflective

Inner Door
Full Mesh & Solid Door



ACCESSORIES



TREKKING POLES

TECHNICAL INFORMATION



Aluminium 7075 Poles

7075 aluminium alloy is the lightest and highest strength alloy available. Its high tensile strength allows a thinner walled, and therefore lighter, tube to be produced which has the same strength. Low weight means less energy is burned using them, making more energy available for the activity.



Clip Lock System

Clip locks provide a more secure locking mechanism than a twist system and allow the pole length to be quickly and easily altered. A screw adjustment is also included to change the strength of closure, ensuring a secure lock each time.



Tungsten Carbide End Tips

Terra Nova trekking poles have tungsten carbide end tips. Tungsten carbide is extremely hard and very abrasion resistant. These properties make it ideal for the end of trekking poles, which are constantly striking hard ground. End tips made from tungsten carbide will last longer than those made of alternative materials.



TERRA NOVA

TRAIL LITE

A classic lightweight trekking pole that suits most people's requirements.

- A 3 section pole with clip locks enabling easy adjustment
- Made with 7075 aluminium alloy
- Lightweight and comfortable EVA handle and soft wrist strap
- Removable trekking basket
- Tungsten tip with a protective rubber ferrule

WEIGHT	MAX. ADJUSTABLE LENGTH	PACKED LENGTH
279g	137cm	64cm

Code: TATLTP001

TERRA NOVA

TRAIL ELITE

Folding, compact trekking pole which easily adjusts to your required length but packs down small for carrying in a rucksack.

- 3 section folding pole with clip locks enabling easy adjustment
- Made with 7075 aluminium alloy
- Lightweight and comfortable EVA handle and soft wrist strap
- Removable trekking basket
- Tungsten tip with protective rubber ferrule

WEIGHT	MAX. ADJUSTABLE LENGTH	PACKED LENGTH
274g	130cm	37cm

Code: TATETP001



TERRA NOVA

TRAIL CARBON

At under 200g, the Trail Carbon is the perfect trekking pole for those who want to keep weight to a minimum.

- A 3 section pole with clip locks for easy adjustment
- Made with carbon fibre 66% tubing
- Lightweight and comfortable EVA handle and soft wrist strap
- Removable trekking basket
- Tungsten tip with protective rubber ferrule

WEIGHT	MAX. ADJUSTABLE LENGTH	PACKED LENGTH
192g	125cm	60cm

Code: TATCTP001



TERRA NOVA

BIVI BAGS

Terra Nova® bivi bags use the best materials to suit their use, whether it is an overnight in moderate conditions or for more extreme conditions. Whatever your trip, there is a bivi in our range to suit you.



TERRA NOVA

SURVIVAL BIVI

- Waterproof and breathable sleeping bag cover
- Great value
- Small pack size
- Terra Nova Dusk fabric

Code: TASB001



TERRA NOVA

MOONLITE BIVI

- Waterproof and breathable sleeping bag cover
- Seam sealed
- Half moon foot
- Tiny pack size
- Mosquito net screen
- Terra Nova Moonlite fabric
- Colour: Green with black mesh

Code: TAMB001



JUPITER LITE BIVI

- Lightweight, waterproof and highly breathable
- Now supplied with Terra Firma Mini Pegs
- For minimalist backpacking
- Single pre-curved aluminium alloy pole gives extra head room and improved ventilation
- Good ventilation makes it suitable for warmer, more humid conditions
- No-see-um mesh door to keep out bugs
- Terra Nova Moonlite fabric and Waterbloc groundsheet



Code: TAJLB001



BIVI FABRICS AND TECHNOLOGY



MOONLITE

A lightweight, waterproof and highly breathable fabric. At only 55gsm, giving 10000m Hydrostatic Head, and a breathability minimum of 15,000 g/sqm/24hrs, this laminated nylon ripstop is perfect for our Moonlite Bivi and Jupiter Lite Bivi.

DUSK

A mid weight, waterproof and breathable fabric. With a weight of 75gsm, 10000m Hydrostatic Head and good level of breathability this ripstop nylon is a tough all round performer for our Survival Bivi.

BIVI BAGS AT A GLANCE

SLEEPING BAG COVERS

BIVIS WITH POLES



	SURVIVAL BIVI	MOONLITE BIVI	JUPITER LITE BIVI
Size	215 x 74cm	200 x 76cm	230 x 70 x 45cm
Packed Size	21 x 11cm	21 x 6cm	40 x 11cm
Weight	340g	210g	770g
Upper Fabric	TN Dusk	TN Moonlite	TN Moonlite
Hydrostatic Head	10000mm	10000mm	10000mm
Groundsheet Fabric	TN Dusk 10000mm	TN Moonlite 10000mm	TN Moonlite 10000mm

TARPS



FLAT TARPS							
	TERRA NOVA TARP ULTRA 1	TERRA NOVA TRIPLEX™ TARP 1	TERRA NOVA TRIPLEX™ TARP 2	WILD COUNTRY TARP 1	WILD COUNTRY TARP 2	WILD COUNTRY ELITE TARP 1	WILD COUNTRY ELITE TARP 2
Size (metric)	2.5m x 1.5m	2.45m x 1.48m	2.9m x 2.48m	2.45m x 1.48m	2.9m x 2.48m	2.45m x 1.48m	2.9m x 2.48m
Size (imperial)	9'2" x 5'	9' x 4'10"	9'6" x 8'2"	9' x 4'10"	9'6" x 8'2"	9' x 4'10"	9'6" x 8'2"
Pack Size (metric)	13 x 10 x 5cm	13 x 10 x 5cm	13 x 10 x 5cm	15 x 15 x 7cm	15 x 15 x 7cm	15 x 15 x 7cm	15 x 15 x 7cm
Pack Size (imperial)	5" x 4" x 2"	5" x 4" x 2"	5" x 4" x 2"	6" x 6" x 2.5"	6" x 6" x 2.5"	6" x 6" x 2.5"	6" x 6" x 2.5"
Weight	86g / 3oz	290g / 10.2oz	550g / 19.5oz	367g / 12.9oz	671g / 23.6oz	367g / 12.9oz	671g / 23.6oz
Substrate & HH	10000mm	Nylon/Polyester 3000mm	Nylon/Polyester 3000mm	Polyester 4000mm	Polyester 4000mm	Nylon 4000	Nylon 4000

TERRA NOVA

TARP ULTRA 1

- Uses extremely lightweight ULTRA fabric
- Reinforced eyelet positions and webbing tapes for flexible set up
- Ideal for use with our Bivi range
- Now includes guylines & pegs
- Made in the UK in our Derbyshire factory
- Poles not included

Code: TATU1001



TERRA NOVA

TRIPLEX™ TARP 1 NEW

- Uses TriPlex™ fabric
- Reinforced eyelet positions and webbing tapes for flexible set up
- Ideal for use with Moonlite or Survival Bivi
- Now includes guylines & pegs
- Poles not included

Code: TATPT1001



TERRA NOVA

TRIPLEX™ TARP 2 NEW

- Uses TriPlex™ fabric
- Reinforced eyelet positions and webbing tapes for flexible set up
- Ideal for use with Moonlite or Survival Bivi
- Now includes guylines & pegs
- Poles not included

Code: TATPT2001

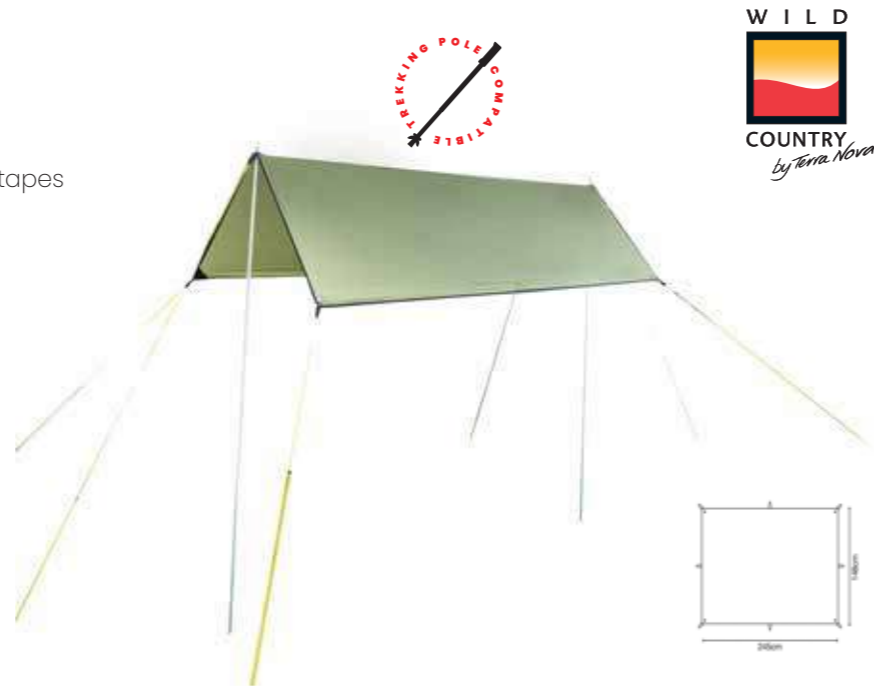


WILD COUNTRY

TARP 1 **NEW**

- Reinforced eyelet positions and webbing tapes for flexible set up
- Ideal for use with Moonlite or Survival Bivi
- Now includes guylines and pegs
- Poles not included

Code: WAT1001

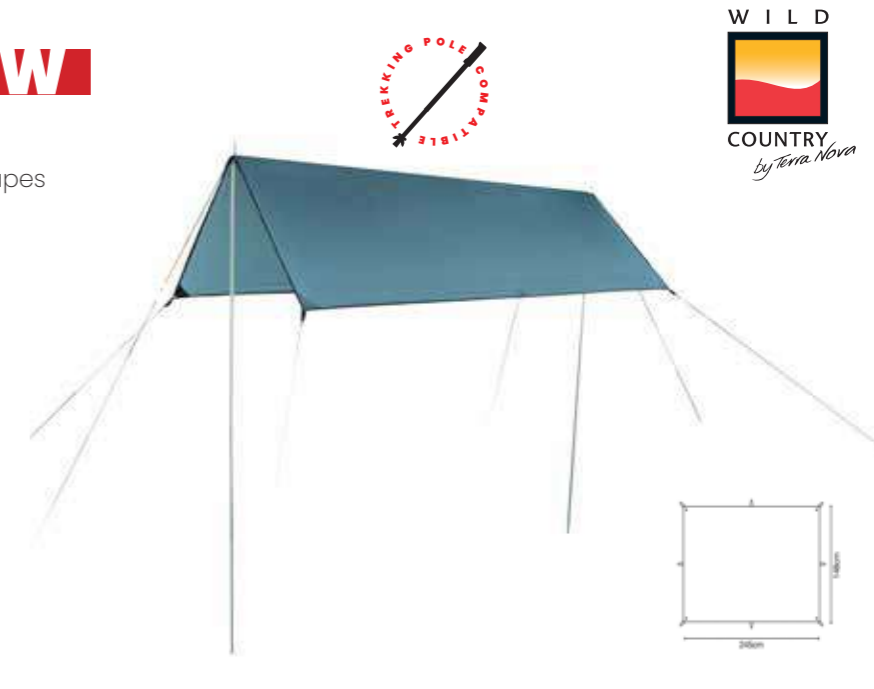


WILD COUNTRY

ELITE TARP 1 **NEW**

- Reinforced eyelet positions and webbing tapes for flexible set up
- Ideal for use with Moonlite or Survival Bivi
- Now includes guylines and pegs
- Poles not included

Code: WAET1001

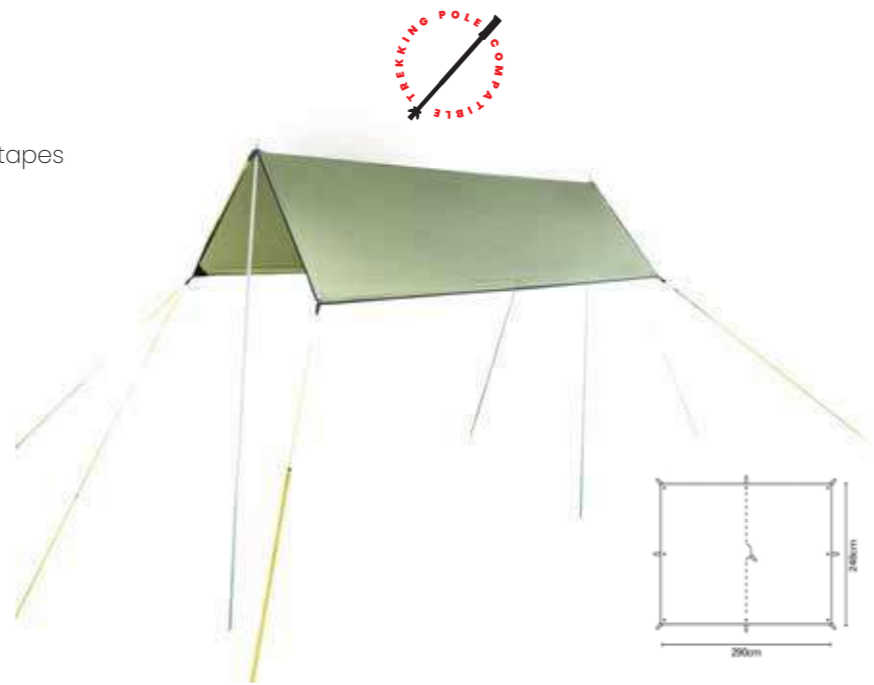


WILD COUNTRY

TARP 2 **NEW**

- Reinforced eyelet positions and webbing tapes for flexible set up
- Ideal for use with Moonlite or Survival Bivi
- Now includes guylines and pegs
- Poles not included

Code: WAT2001

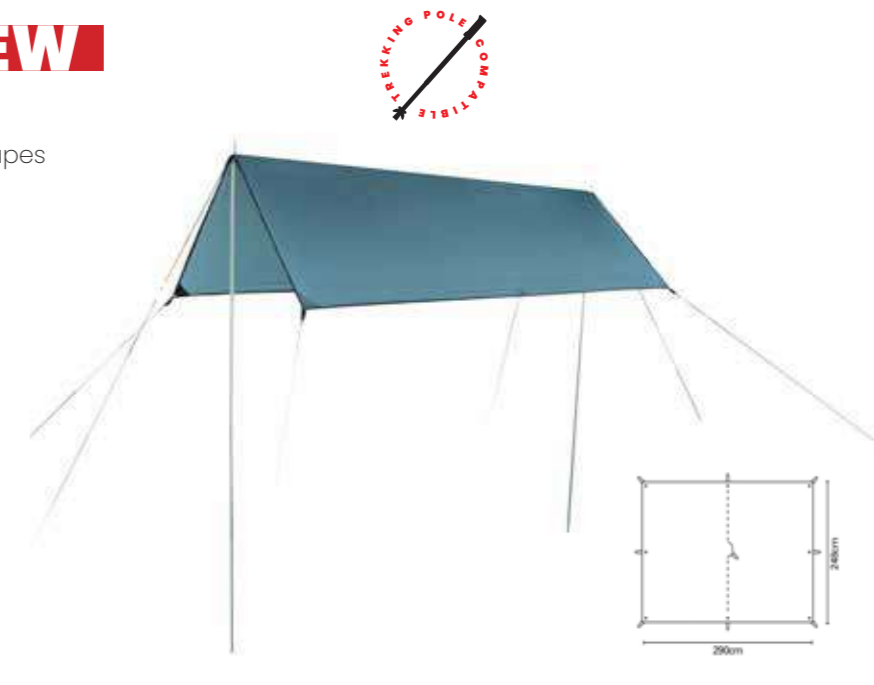


WILD COUNTRY

ELITE TARP 2 **NEW**

- Reinforced eyelet positions and webbing tapes for flexible set up
- Ideal for use with Moonlite or Survival Bivi
- Now includes guylines and pegs
- Poles not included

Code: WAET2001



BOTHY BAGS



DID YOU KNOW...

Bothy comes from the 18th century of Irish and Scottish Gaelic descent. It means hut or small cottage and used as a mountain refuge.



Used by mountain leaders, rescue organisations, backcountry skiers and canoe guides all over the world, these indispensable lightweight emergency shelters allow the users to create a 'micro climate' that is warm and dry - perfect for map reading, group discussions or even as a morale booster for wet lunch breaks.



BOTHY 2

- 2-person Bothy
- Roof sockets to use walking poles as extra support
- PU welded windows suitable for temperatures as low as -30°C
- Polyester Ripstop 68D 3000mm HH

WEIGHT
370g

PACKED SIZE
22x11.5cm

Code: 53B2R



BOTHY 4

- 4-person Bothy
- Roof sockets to use walking poles as extra support
- PU welded windows suitable for temperatures as low as -30°C
- Polyester Ripstop 68D 3000mm HH

WEIGHT
600g

PACKED SIZE
27x11cm

Code: 53B4R



TERRA NOVA

BOTHY 8

- 8-person Bothy
- Roof sockets to use walking poles as extra support
- PU welded windows suitable for temperatures as low as -30°C
- Polyester Ripstop 68D 3000mm HH

WEIGHT
940g

PACKED SIZE
30x14cm

Code: 53B8R



TERRA NOVA

BOTHY 12

- 12-person Bothy
- Roof sockets to use walking poles as extra support
- PU welded windows suitable for temperatures as low as -30°C
- Polyester Ripstop 68D 3000mm HH

WEIGHT
1.41kg

PACKED SIZE
33x16cm

Code: 53B12R



TERRA NOVA

SUPERLITE BOTHY 2

- 2-person Bothy.
- Roof sockets allow walking poles to be used for additional support
- High-quality 40D 2000mm Nylon Ripstop Si/Si fabric
- Super lightweight and small pack size

WEIGHT
255g

PACKED SIZE
13x11cm

Code: 53SB2R



TERRA NOVA

SUPERLITE BOTHY 4

- 4-person Bothy
- Roof sockets allow walking poles to be used for additional support
- High-quality 40D 2000mm Nylon Ripstop Si/Si fabric
- Super lightweight and small pack size

WEIGHT
400g

PACKED SIZE
20x12cm

Code: 53SB4R



TENT PEGS



1g & 5.5g TITANIUM PEGS

Hold well for their size in good ground, can be doubled up and still be lighter than most other pegs.

- Length 13cm
- Available in packs of 6



Code - 1g: TATIS001

Code - 5.5g: TATS55001

5.6g ALLOY PEGS

A lightweight alloy peg designed to offer dependable strength and a secure hold in various ground conditions.

- 7075 alloy
- Length 13cm
- Available in packs of 6



Code: TAAP5.6

TERRA FIRMA PEG

Our classic tent pegs with a Y profile for a firmer hold, weighing 13g.

- 7075 alloy
- Length 18cm
- Available in packs of 6



Code: TATFP001

TERRA FIRMA MINI PEG

Smaller lighter classic Y shape pegs for those focusing on pack weight; weighing just 9g.

- 7075 alloy
- Length 15cm
- Available in packs of 6



Code: TATFMP001

11g SUPERLITE Ti 'V' ANGLE PEGS

Increased surface area for a minimal weight penalty, great for critical load bearing points.

- Length 15cm
- Available in packs of 6



Code: TASTVP001

12g ALLOY 'V' ANGLE PEGS

The standard peg for Wild Country tents. A firm hold and beaded for extra strength.

- 7075 alloy
- Length 16cm
- Available in packs of 10



Code: WAAVP001

18g TITANIUM 'V' ANGLE PEGS

Designed to handle the toughest ground conditions, these titanium tent pegs are extremely strong and weigh just 18 grams each.

- Length 16cm
- Available in packs of 6



Code: 50PEGT18

SOS STAKE

Sand Or Snow (SOS) peg - 56g.

Huge aluminium stakes with a curved profile. 35mm wide - can be buried sideways or used traditionally.

- Length 30cm
- Available in packs of 10



Code: TASOS001

TENT SPARES & ADD-ONS



REFLECTIVE GUY ROPES

Pack of 2 x 2m lengths guyline & guyline grippers



Code - THIN: TATGCC001

Code - THICK: TASGCC001

GUYLINE GRIPPERS

To enable adjustment to length on your guyline.

- Small - 2cm long
- Large - 3cm long
- Available in packs of 6



Code - SMALL: TACCS001

Code - LARGE: TACCL001

POLELOCK™ **NEW**

A pole-end attachment providing an additional peg-point for increased tent stability.

- Length 10.5cm
- Weight 13g each
- Available in packs of 2
- Suitable for poles with a diameter of up to 9mm



Code: TAPL001

FOOTPRINTS

Available for Terra Nova and Wild Country tents. Covers the area under inner tent and porch, and protects the groundsheet.

- Specific to each tent model
- Using recycled nylon fabric



PITCHLITE™ **NEW**

A ground-tape pitching solution for all Solar tent models enabling flysheet-only use for the most versatile and lightweight set-up.

- Tent-specific versions available for all current Solar tents
- Packaged in mesh storage bag

Solar Photon Code: TASP2PL001

Solar Event Code: TASE2PL001

Solar Horizon Code: TASH2PL001



TENT BAGS

Extra or replacement tent bags

- Sizes (XS, S, M, L)
- Using Recycled Nylon fabric



Code - X SMALL: TATBXS001

Code - SMALL: TATBS001

Code - MEDIUM: TATBM001

Code - LARGE: TATBL001





TERRA



NOVA

TERRA NOVA EQUIPMENT LIMITED

Hubaco House, Railway View, Clay Cross, Chesterfield S45 9FR

Main: +44(0)1773 833300 Email: salesoffice@terra-nova.co.uk

www.terra-nova.co.uk www.wild-country.co.uk

WILD



COUNTRY

by Terra Nova

 [@terranovaequipment](https://www.facebook.com/terranovaequipment)

 [@terranovaequip](https://twitter.com/terranovaequip)

 [@terranovaequipment](https://www.instagram.com/terranovaequipment)

www.youtube.com/terranovaequipment

www.youtube.com/wildcountrytents

This is a product guide designed for pre-selling Terra Nova® and Wild Country™ 2026 products. Due to the selling in process not all styles / colours may be available in 2026. Due to continual product development, specifications may change between the production of this guide and delivery of goods. If you would like to confirm details before placing orders, please contact us using the details above.